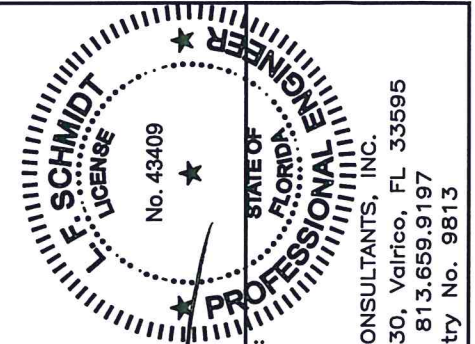
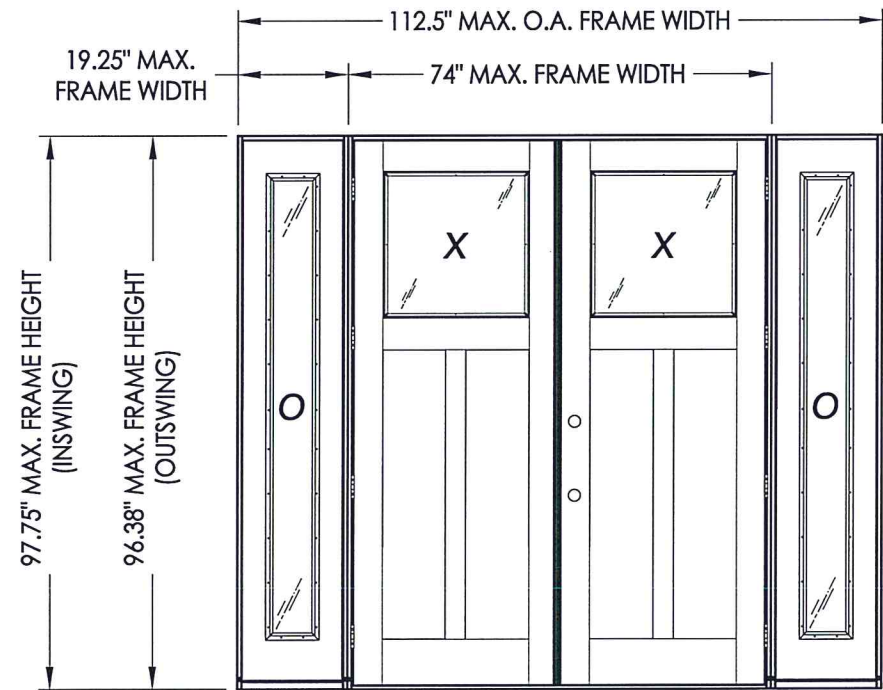
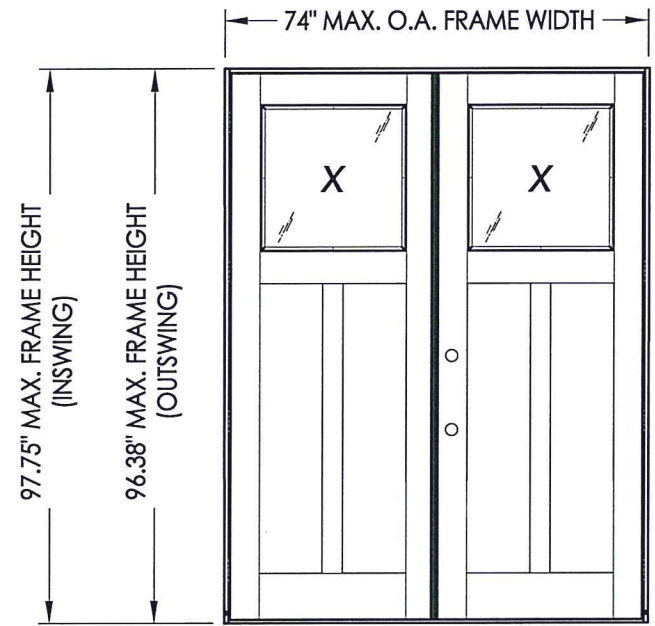


"Lighthouse" GLAZED FIBERGLASS DOUBLE DOOR w/ or w/out SIDELITE(S) "NON-IMPACT" INSWING / OUTSWING



March 28, 2021
 Documents Prepared By:
 Lyndon F. Schmidt
 P.E. No. 43409
 RW BUILDING CONSULTANTS, INC.
 P.O. Box 230, Valrico, FL 33595
 Phone No.: 813.659.9197
 FBPE Registry No. 9813

GENERAL NOTES

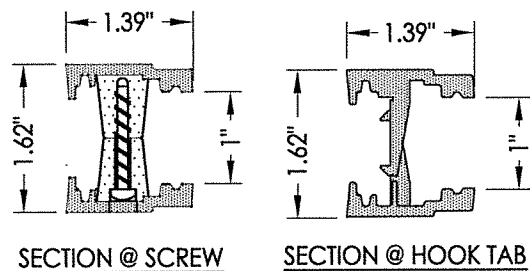
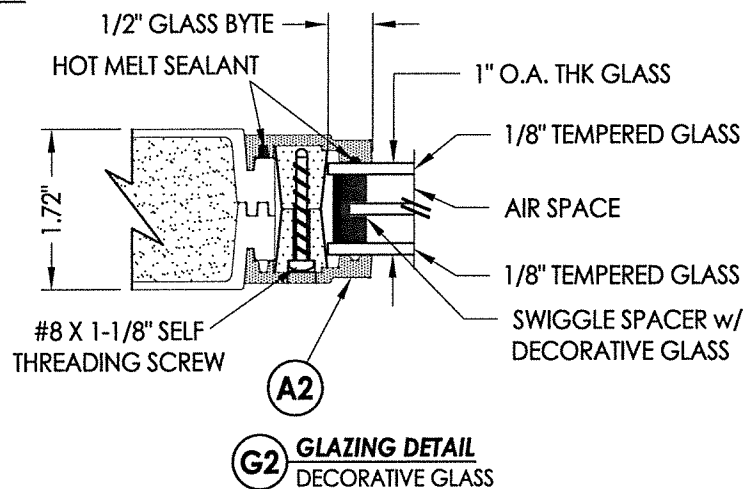
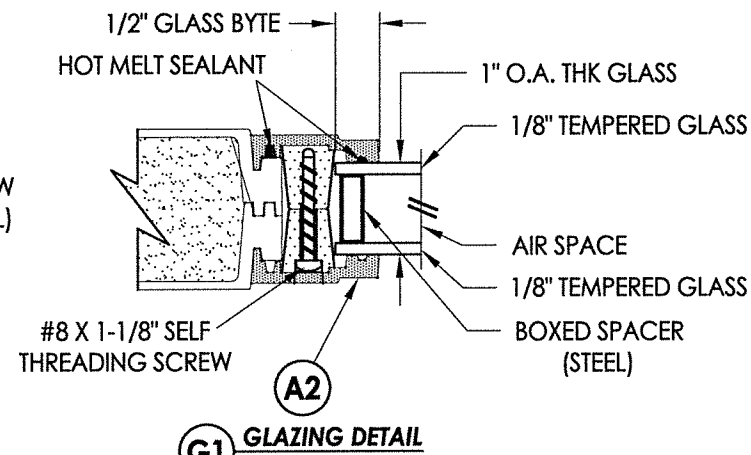
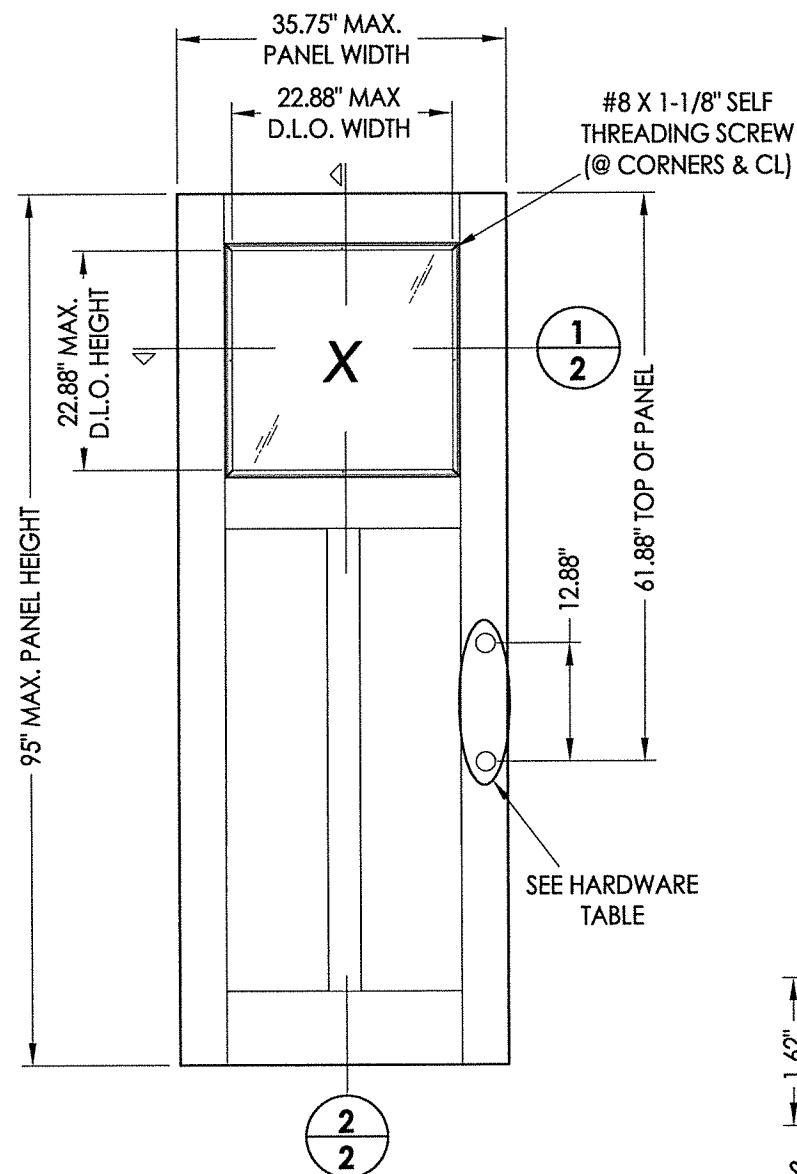
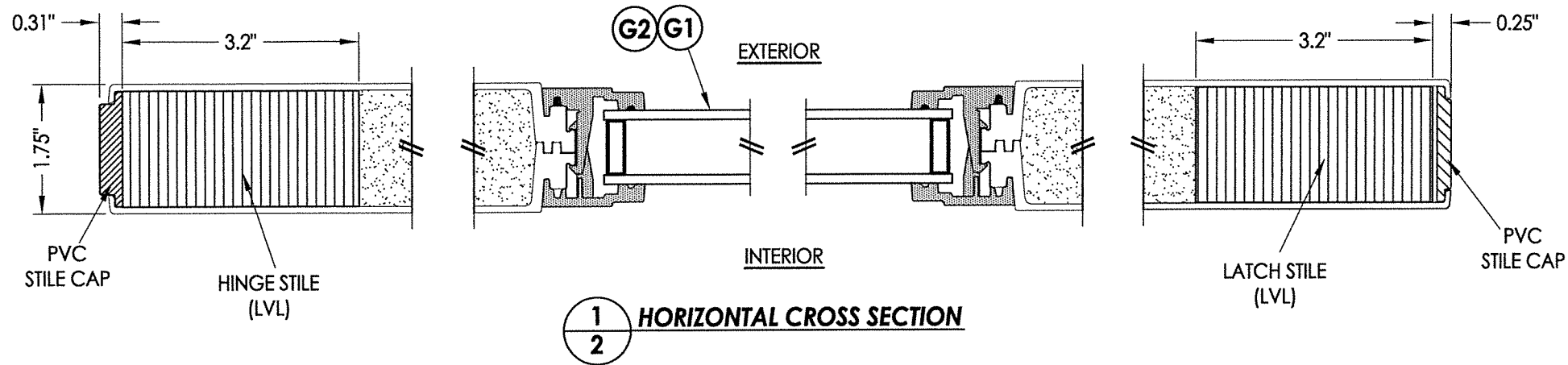
1. This product has been evaluated and is in compliance with the 7th Edition (2020) Florida Building Code (FBC) structural requirements excluding the "High Velocity Hurricane Zone" (HVHZ).
2. Product anchors shall be as listed and spaced as shown on details. Anchor embedment to base material shall be beyond wall dressing or stucco.
3. When used in areas requiring wind borne debris protection, this product is required to be protected with an impact resistant covering that complies with FBC Sections 1609.1.2 & R301.2.1.2.
4. For 2x stud framing construction, anchoring of these units shall be the same as that shown for 2x buck masonry construction.
5. Site conditions that deviate from the details of this drawing require further engineering analysis by a licensed engineer or registered architect.

TABLE OF CONTENTS	
SHEET#	DESCRIPTION
1	Typical elevations, design pressures & general notes
2	Door panel details
3	Sidelite panel details (Lip Lite Frame)
4	Sidelite panel details (Flush Glazing Frame)
5	Elevations
6	Horizontal and vertical cross sections (2x buck)
7	Horizontal and vertical cross sections (1x buck)
8	Horizontal and vertical cross sections (Direct to Masonry)
9	Horizontal cross sections
10	Vertical cross sections
11	Buck anchoring
12	Frame anchoring
13	Components
14	Bill of materials

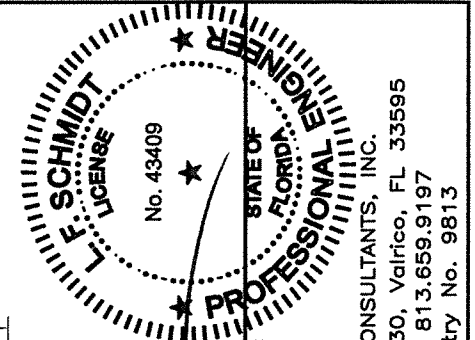
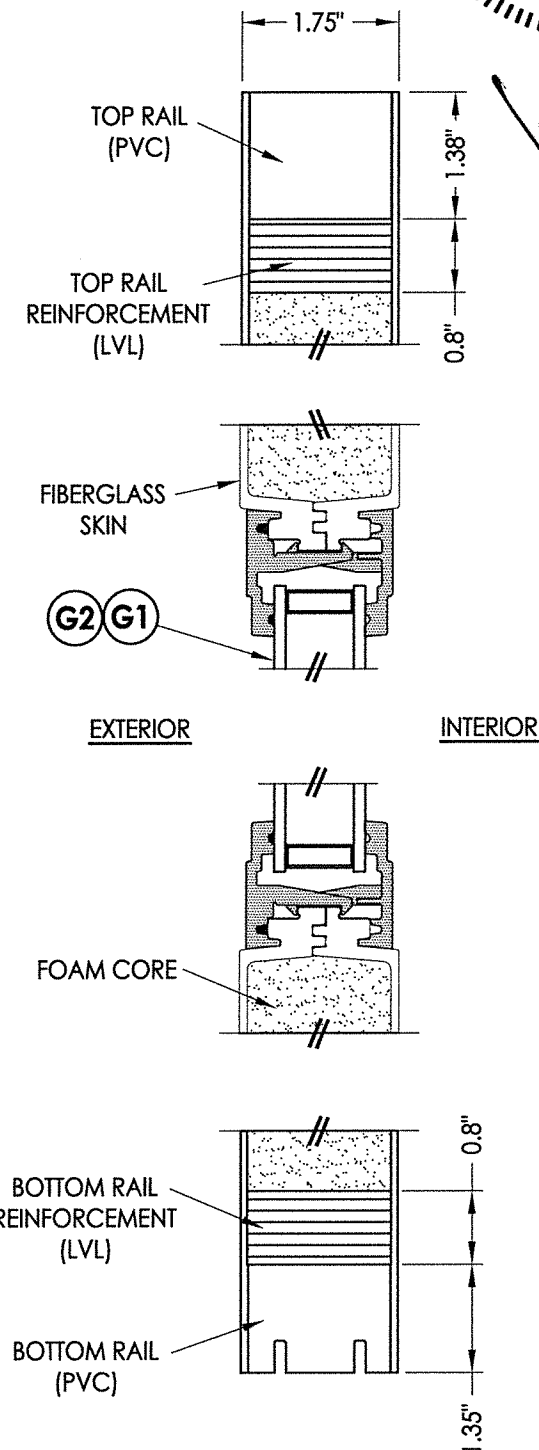
CONFIGURATION	FRAME MATERIAL	DESIGN PRESSURE (PSF) INSWING		DESIGN PRESSURE (PSF) OUTSWING	
		POSITIVE	NEGATIVE	POSITIVE	NEGATIVE
XX, OXXO	FJ PINE	+45.0	-45.0	+40.0	-40.0
XX, OXXO	COMPOSITE	+45.0	-45.0	+45.0	-45.0

PRODUCT:	TRINITY GLASS INT'L
PART OR ASSEMBLY:	TYPICAL ELEVATION, DESIGN PRESSURES & GENERAL NOTES
DATE	1/28/20
SCALE	N.T.S.
DWG. BY	TRJ
CHK. BY	LFS
DRAWING NO.	FL-25575.5
SHEET	1 of 14

Z:\Clients\Trinity Glass PERMANENT\TA - Florida Product Approvals\FL - 25575\C - Drawings\FL 25575 (2020)\FL-25575.5-6.dwg



HARDWARE CHART	
MANUFACTURER	MODEL
KWIKSET	KNOB: SIGNATURE SERIES
	DEADBOLT: SIGNATURE SERIES (980)
SCHLAGE	KNOB: F SERIES
	DEADBOLT: B60 SERIES

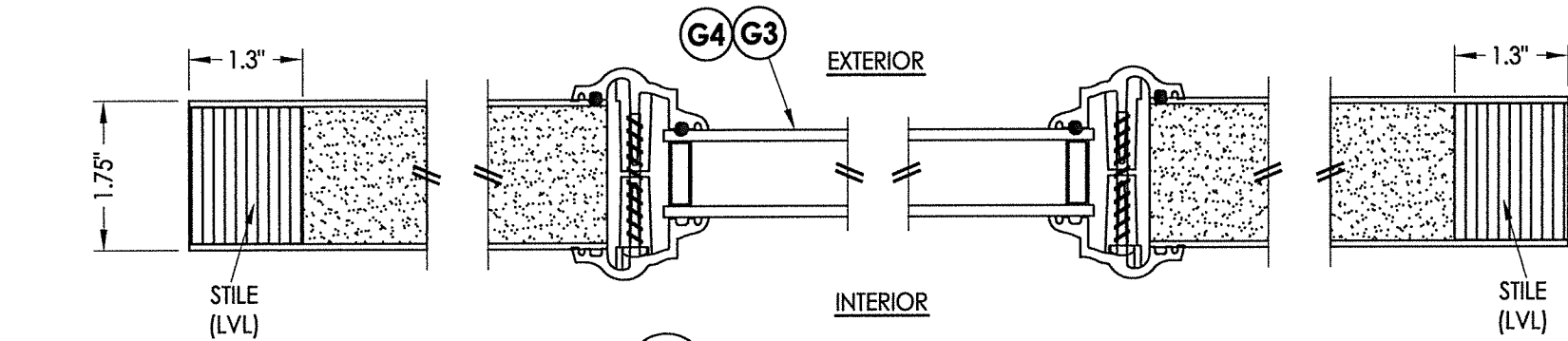


March 28, 2021
 Documents Prepared By:
 Lyndon F. Schmidt
 P.E. No. 43409
 R.W. BUILDING CONSULTANTS, INC.
 P.O. Box 230, Valrico, FL 33595
 Phone No.: 813.659.9197
 FBPE Registry No. 9813

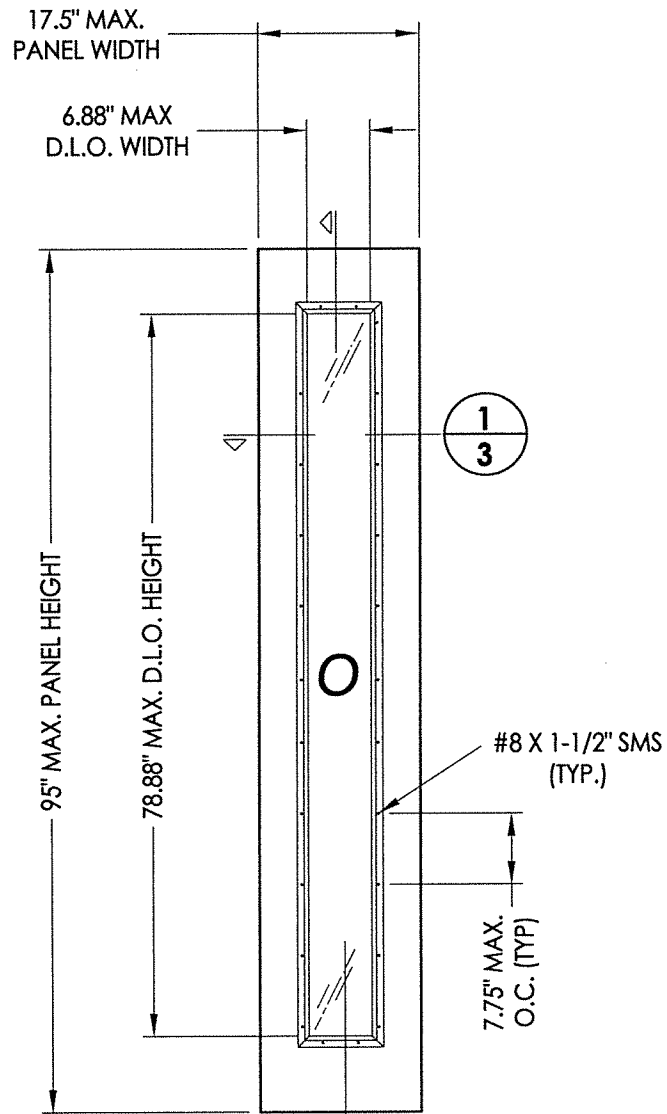
PRODUCT:	TRINITY GLASS INT'L
PART OR ASSEMBLY:	DOOR PANEL DETAILS
DATE:	1/28/20
SCALE:	N.T.S.
DWG. BY:	TRJ
CHK. BY:	LFS
DRAWING NO.:	FL-25575.5
SHEET	2 OF 14

© 2020 R.W. BUILDING CONSULTANTS INC.

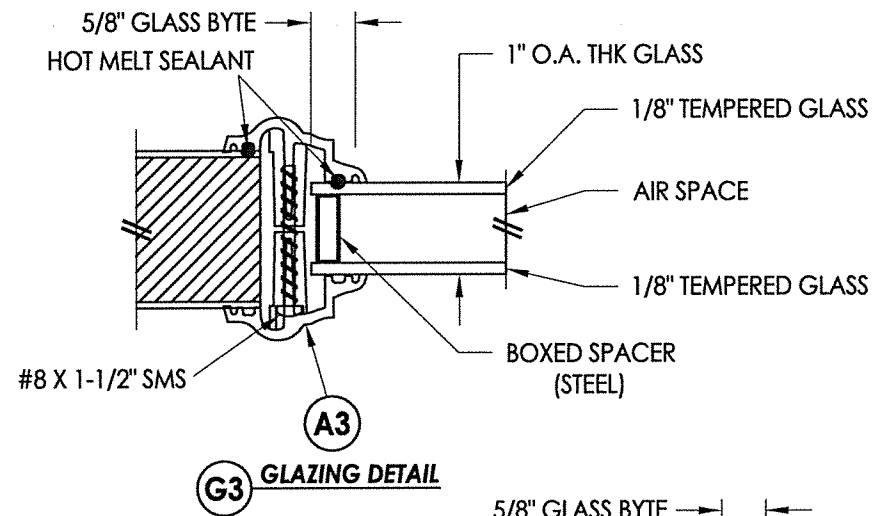
Z:\Clients\Trinity Glass PERMANENTVA - Florida Product Approvals\FL - 25575\C. Drawings\FL 25575 (2020)\FL-25575.5-6.dwg



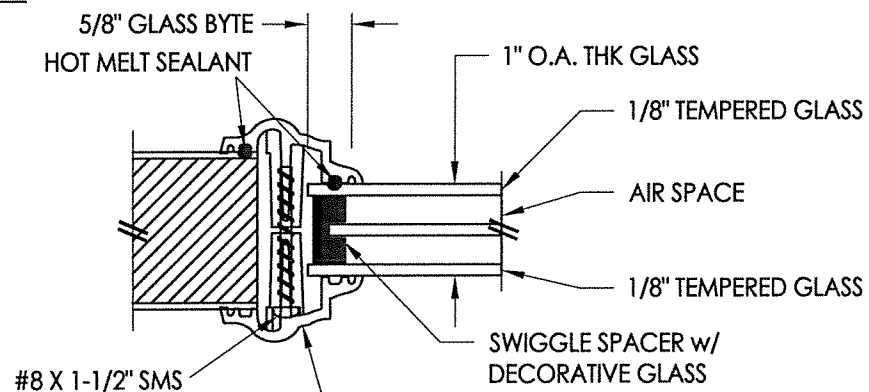
1
3 HORIZONTAL CROSS SECTION



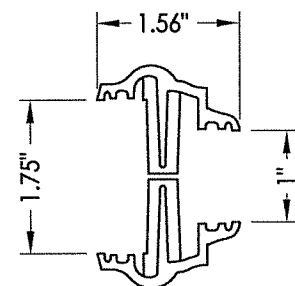
50 SIDELITE PANEL
LIGHHOUSE



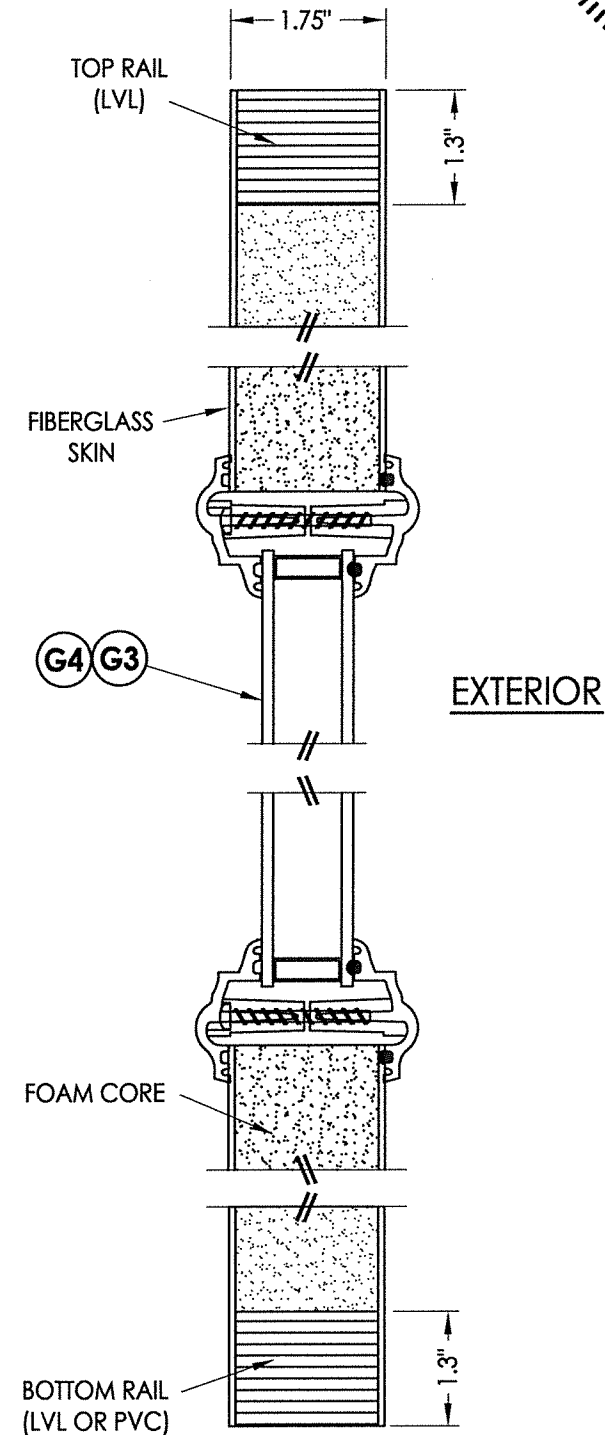
G3 GLAZING DETAIL



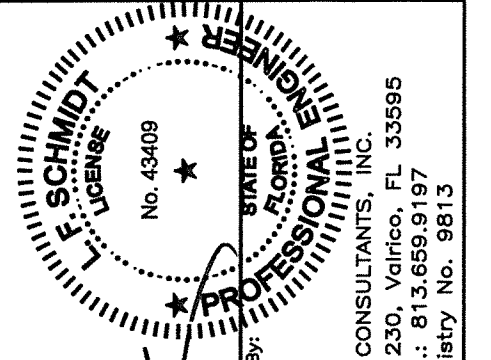
G4 GLAZING DETAIL
DECORATIVE GLASS



A3 FRAME
HP POLYPROPYLENE



2
3 VERTICAL CROSS SECTION



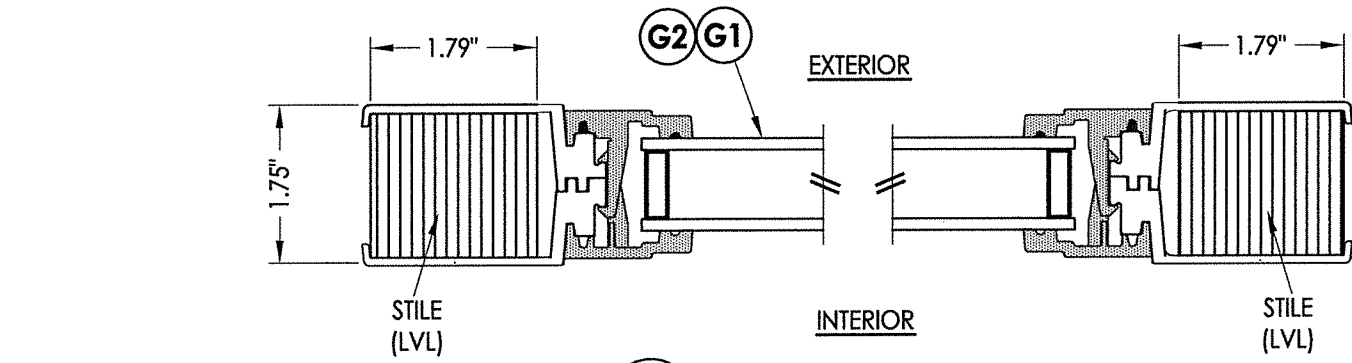
March 28, 2021
 Documents Prepared By:
 Lyndon F. Schmidt
 P.E. No. 4-3409
 R.W. BUILDING CONSULTANTS, INC.
 P.O. Box 230, Valrico, FL 33595
 Phone No.: 813.659.9197
 FBPE Registry No. 9813

PRODUCT:	TRINITY GLASS INT'L		
PART OR ASSEMBLY:	SIDELITE PANEL DETAILS (LIP LITE FRAME)		
DATE:	1/28/20		
SCALE:	N.T.S.		
DWG. BY:	TRJ		
CHK. BY:	LFS		
DRAWING NO.:	FL-25575.5		
SHEET	3 OF 14		
NO.	DATE	BY	REVISIONS
1	8/11/20	UPDATE TO 7th ED. (2020) FBC & REVISE ENDURA ULT. ASTRAGAL	DAC

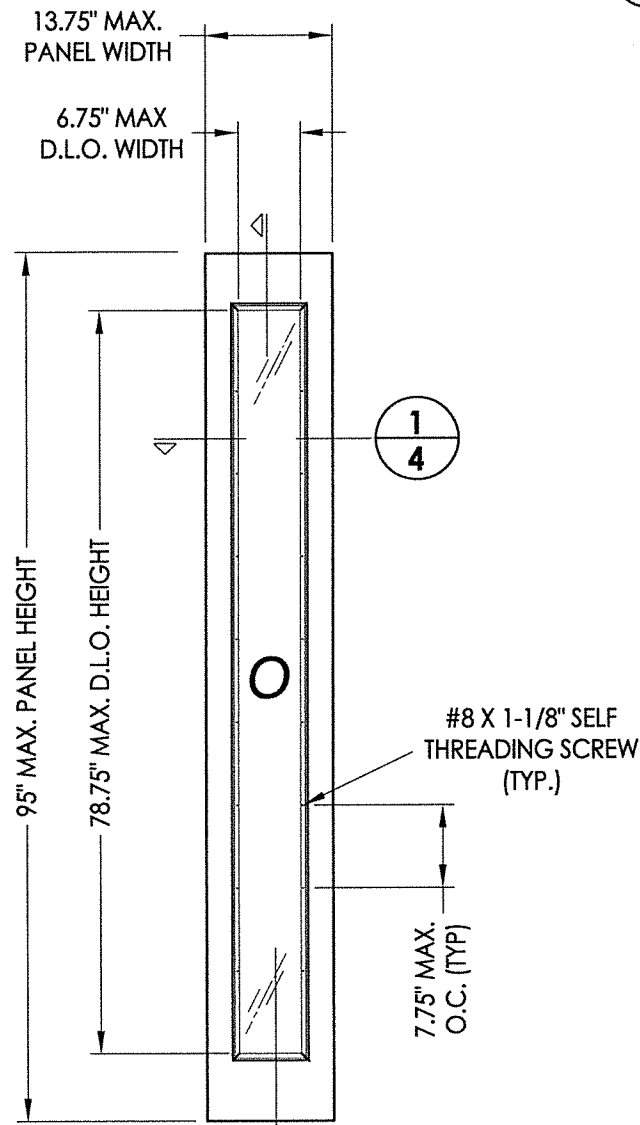
DOOR SKIN: 0.079" MIN. THK. FIBERGLASS
 CORE MATERIAL: POLYURETHANE FOAM

© 2020 R.W. BUILDING CONSULTANTS INC.

Z:\Clients\Trinity Glass PERMANENTVA - Florida Product Approvals\FL - 25575\C. Drawings\FL 25575 (2020)\FL-25575.5-6.dwg

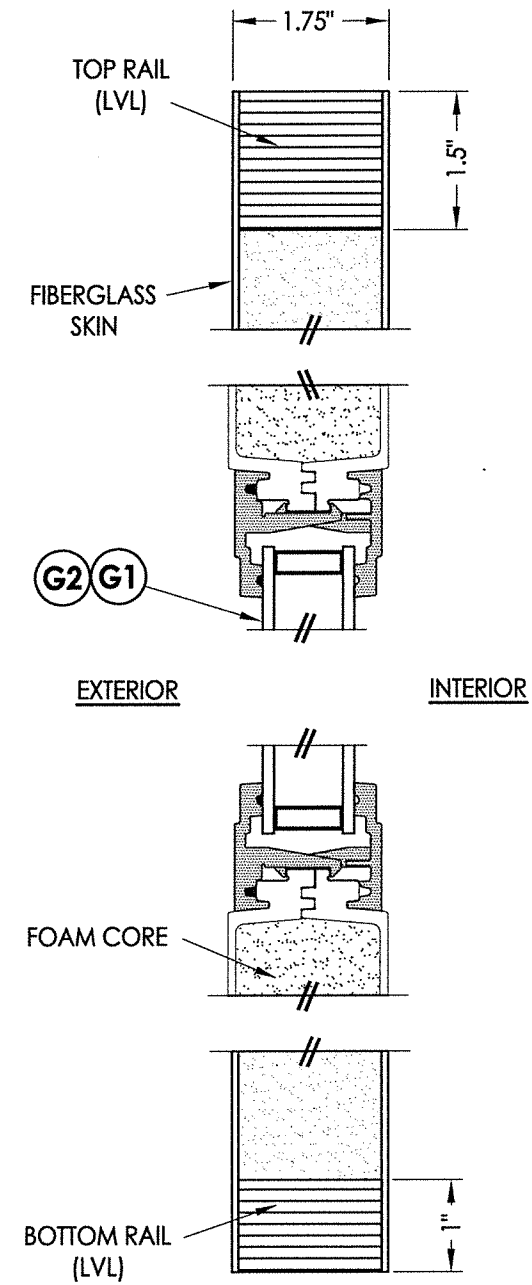


1
4 HORIZONTAL CROSS SECTION

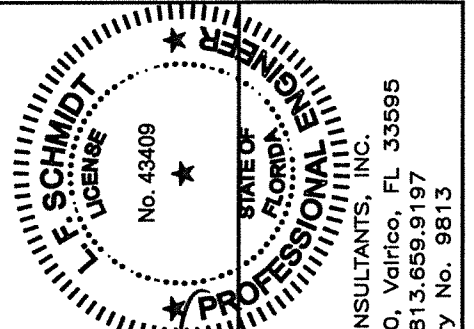


2
4 **60** SIDELITE PANEL
LIGHHOUSE

DOOR SKIN: 0.079" MIN. THK. FIBERGLASS
CORE MATERIAL: POLYURETHANE FOAM

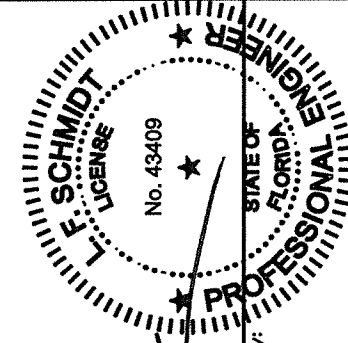
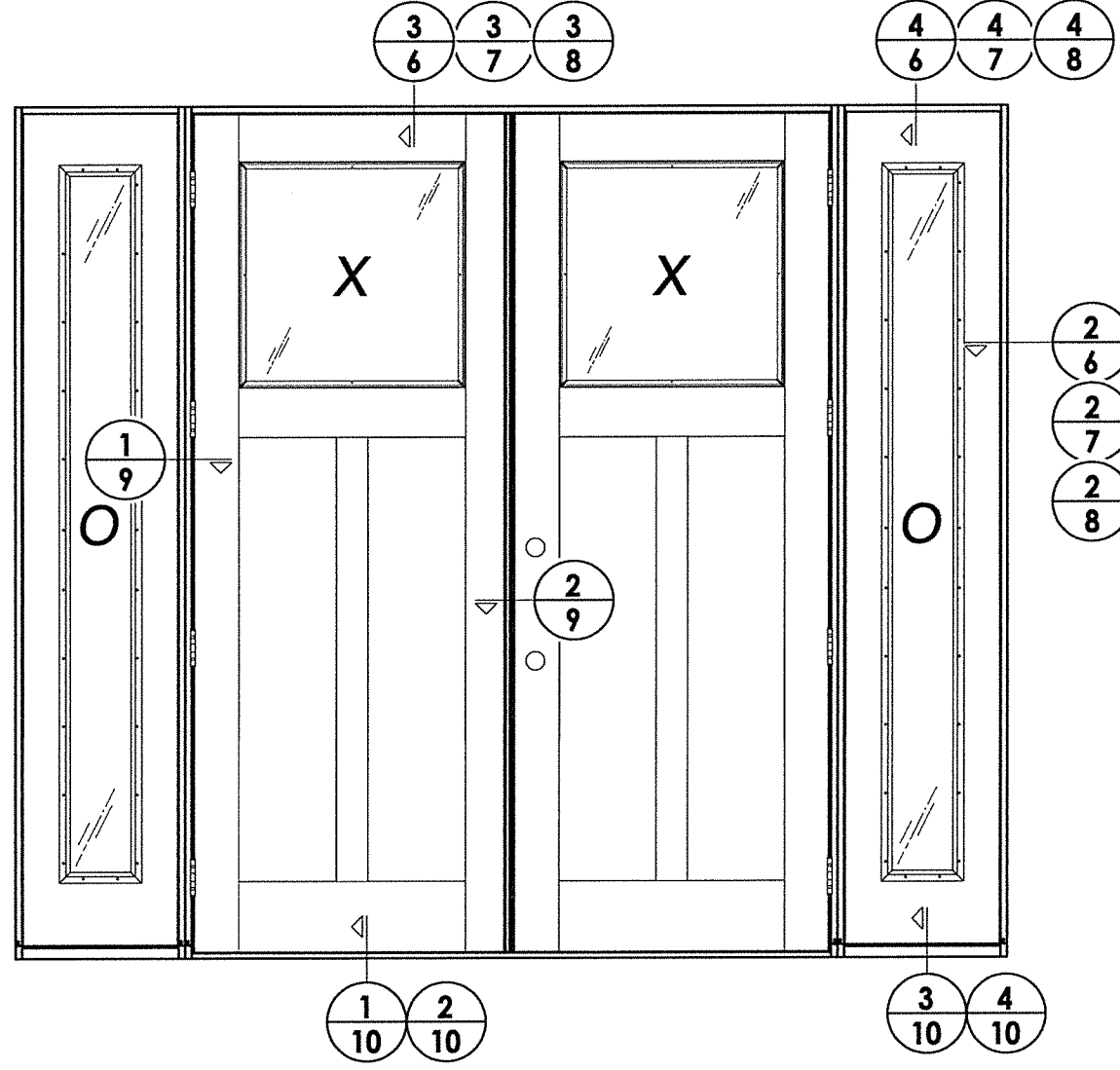
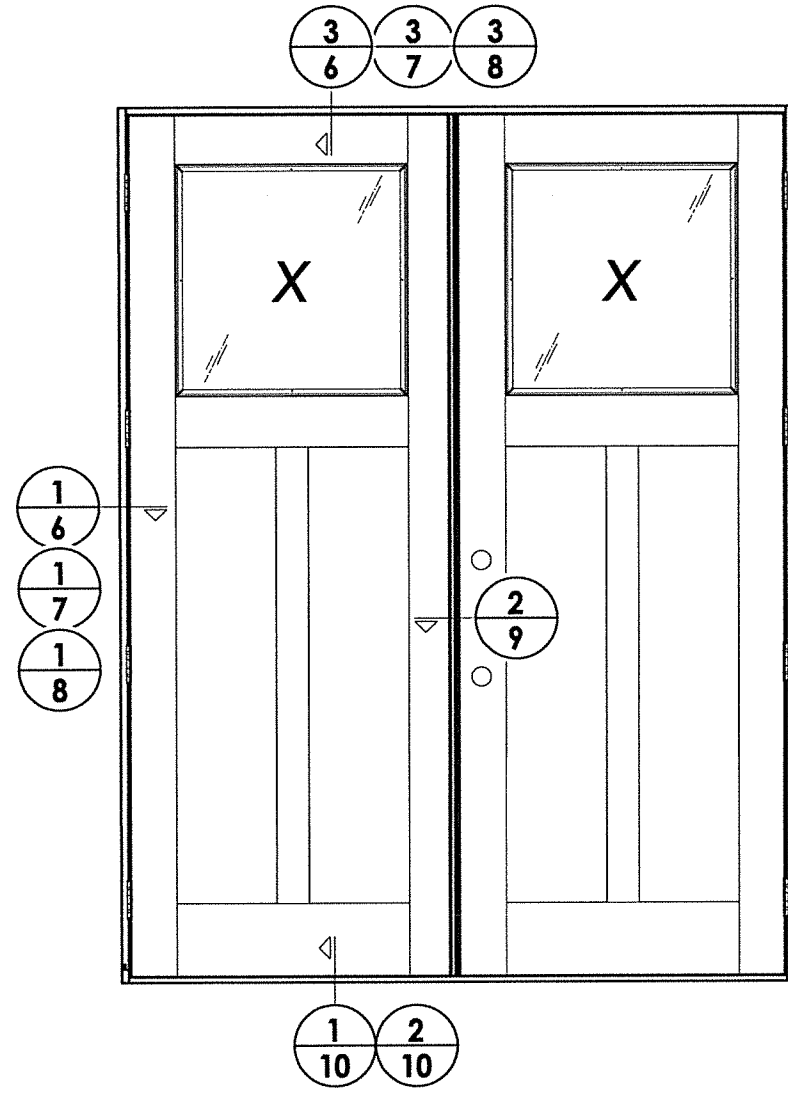


2
4 VERTICAL CROSS SECTION



March 28, 2021
 Documents Prepared By:
 Lyndon F. Schmidt
 P.E. No. 43409
 R.W. BUILDING CONSULTANTS, INC.
 P.O. Box 230, Valrico, FL 33595
 Phone No.: 813.659.9197
 FBPE Registry No. 9813

PRODUCT:	TRINITY GLASS INT'L	
PART OR ASSEMBLY:	SIDELITE PANEL DETAILS (FLUSH GLAZING FRAME)	
DATE:	1/28/20	
SCALE:	N.T.S.	
DWG. BY:	TRJ	
CHK. BY:	LFS	
DRAWING NO.:	FL-25575.5	
SHEET	4 OF 14	
NO.	DATE	BY
1	8/11/20	UPDATE TO 7th ED. (2020) FBC & REVISE ENDURA ULT. ASTRAGAL
REVISIONS		

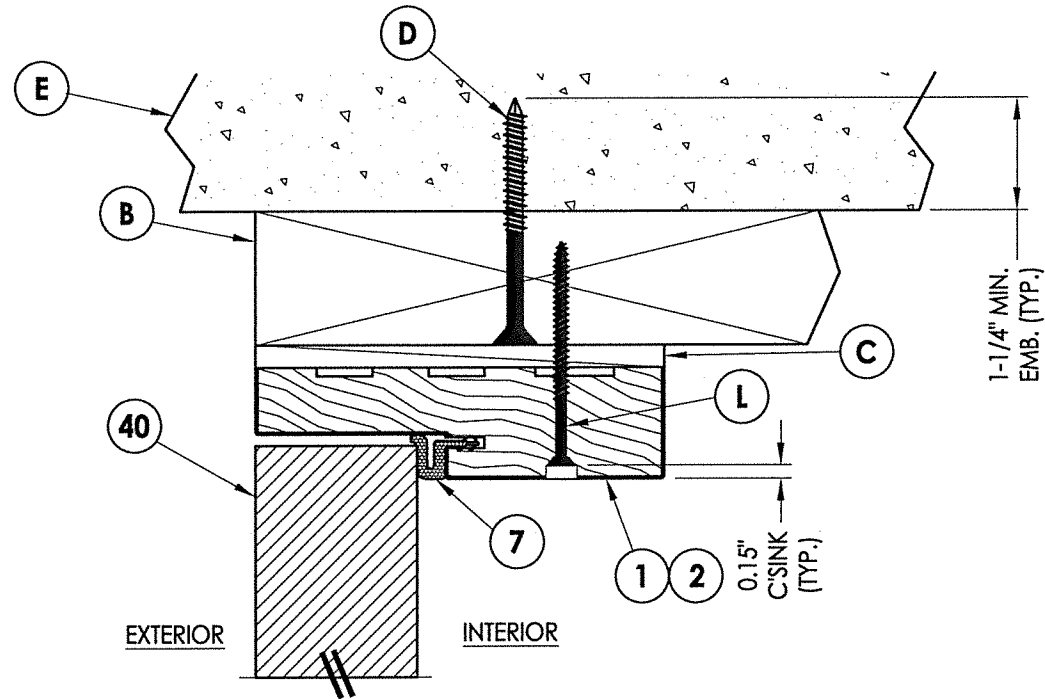


March 28, 2021
 Documents Prepared By:
 Lyndon F. Schmidt
 P.E. No. 43409

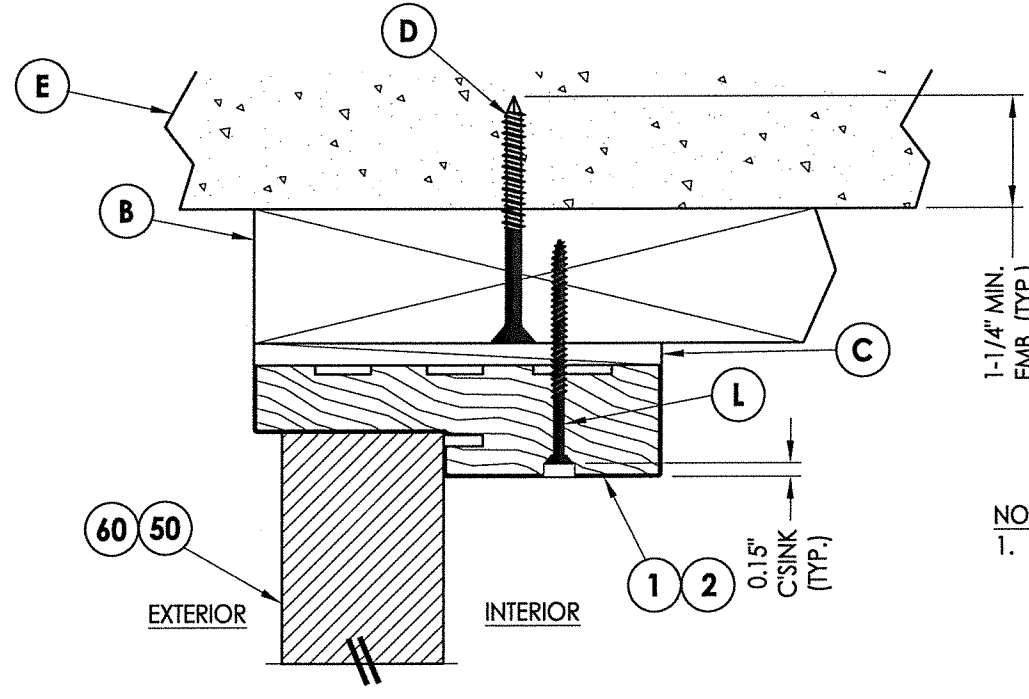
RW
 BUILDING CONSULTANTS, INC.
 P.O. Box 230, Valrico, FL 33595
 Phone No.: 813.659.9197
 FBPE Registry No. 9813

PRODUCT:		TRINITY GLASS INT'L	
PART OR ASSEMBLY:		ELEVATIONS	
NO.	DATE	BY	REVISIONS
1	8/11/20	FBC DAC	UPDATE TO 7th ED. (2020) FBC & REVISE ENDURA ULT. ASTRAGAL

DATE: 1/28/20
 SCALE: N.T.S.
 DWG. BY: TRJ
 CHK. BY: LFS
 DRAWING NO.: FL-25575.5
 SHEET 5 of 14

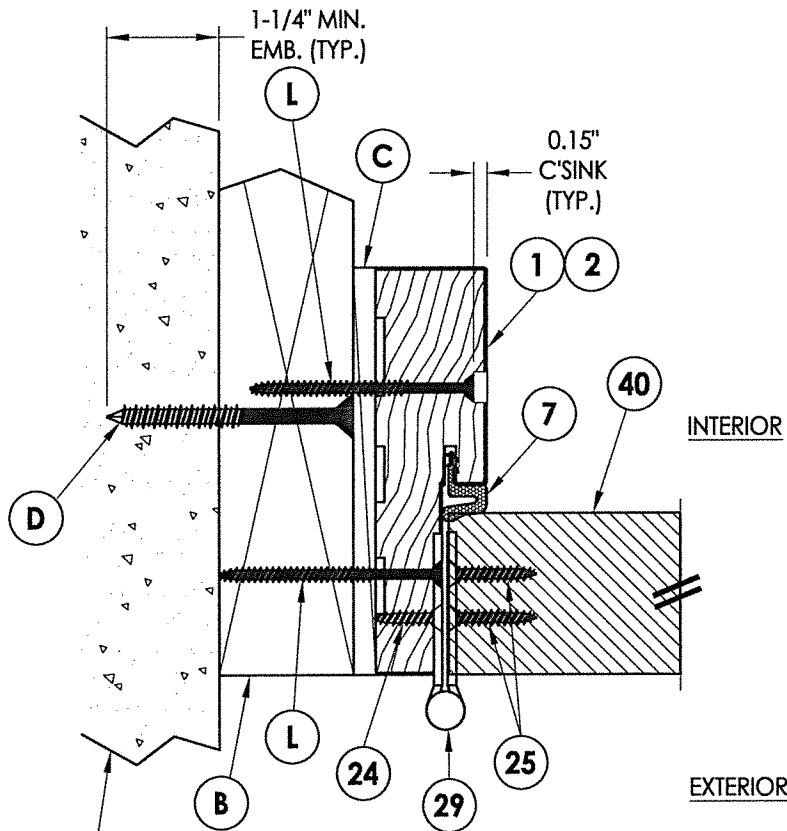


3 VERTICAL CROSS SECTION
6 Outswing shown - Inswing also approved

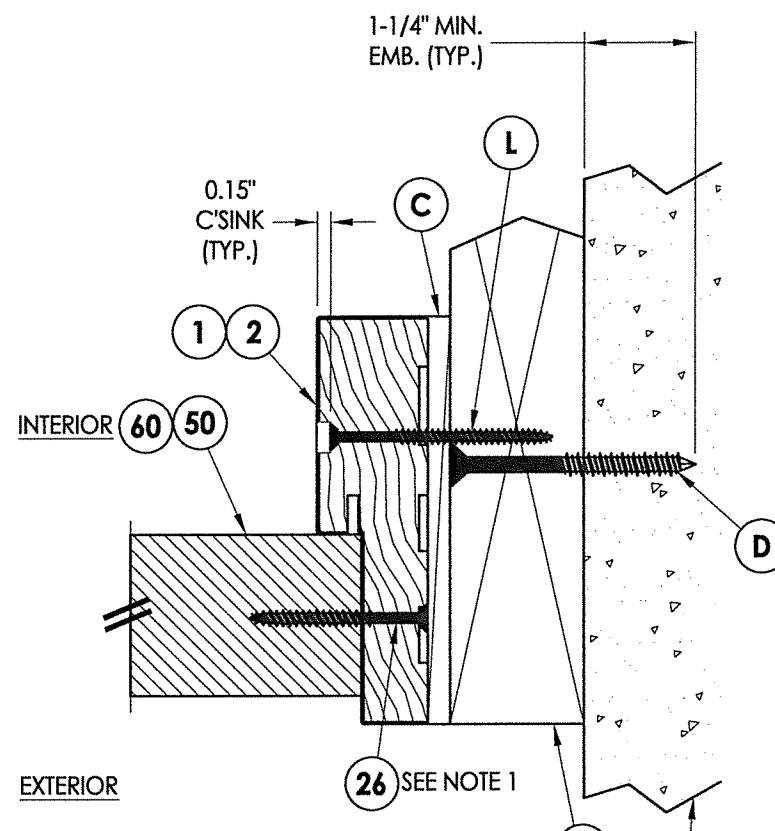


4 VERTICAL CROSS SECTION
6 Outswing shown - Inswing also approved

NOTE:
 1. Item #26 located 6" from each end plus 2 more equally spaced (4 total).



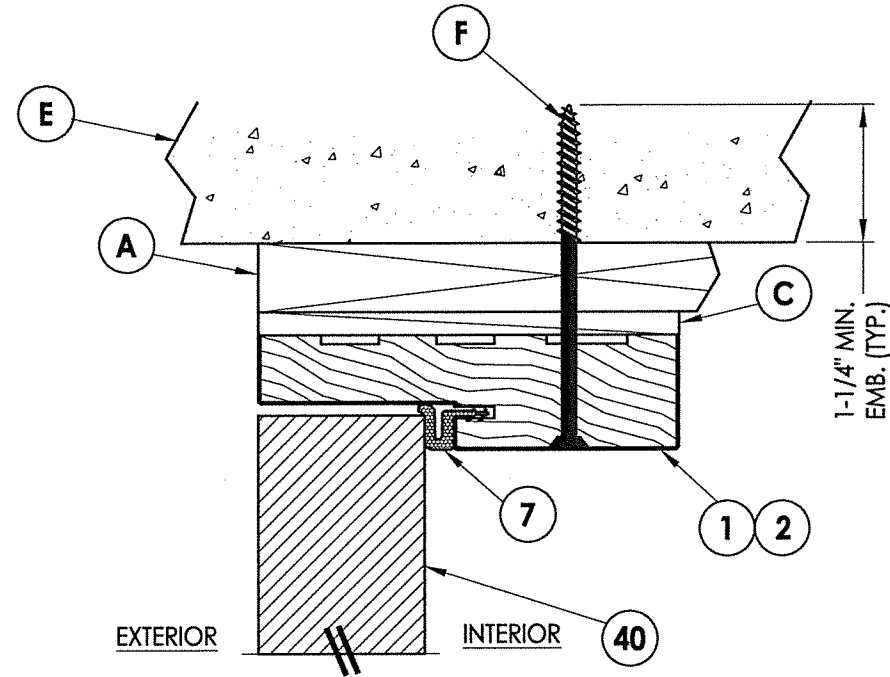
1 HORIZONTAL CROSS SECTION
6 Outswing shown - Inswing also approved



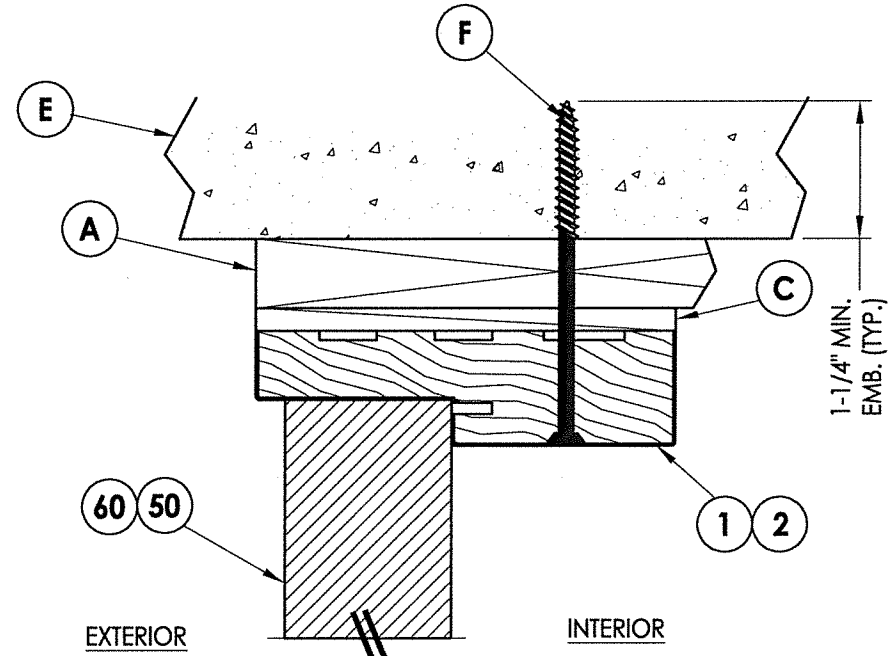
2 HORIZONTAL CROSS SECTION
6 Outswing shown - Inswing also approved

Documents Prepared By:
 Lyndon F. Schmidt
 P.E. No. 43409
 March 28, 2021
 R.W. BUILDING CONSULTANTS, INC.
 P.O. Box 230, Valrico, FL 33595
 Phone No.: 813.659.9197
 FBPE Registry No. 9813

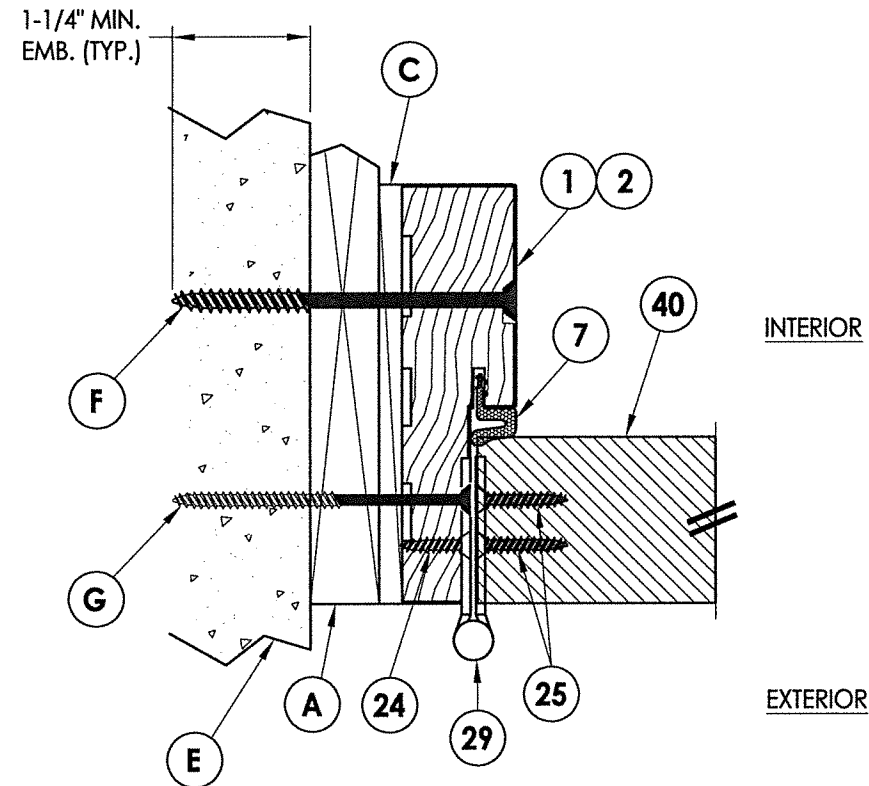
PRODUCT: TRINITY GLASS INT'L	
PART OR ASSEMBLY: HORIZONTAL AND VERTICAL CROSS SECTIONS (2X BUCK)	
NO.	DATE
1	8/11/20
UPDATE TO 7th ED. (2020) FBC DAC & REVISE ENDURA ULT. ASTRAGAL	
BY	REVISIONS
DATE: 1/28/20	
SCALE: N.T.S.	
DWG. BY: TRJ	
CHK. BY: LFS	
DRAWING NO.: FL-25575.5	
SHEET 6 OF 14	



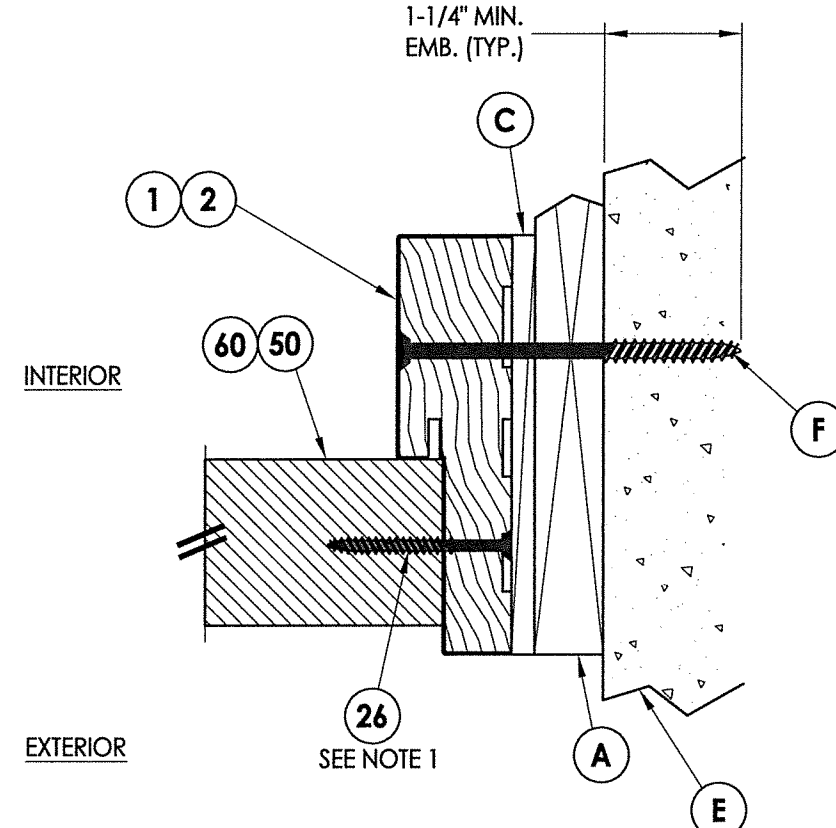
3 VERTICAL CROSS SECTION
7 Outswing shown - Inswing also approved



4 VERTICAL CROSS SECTION
7 Outswing shown - Inswing also approved

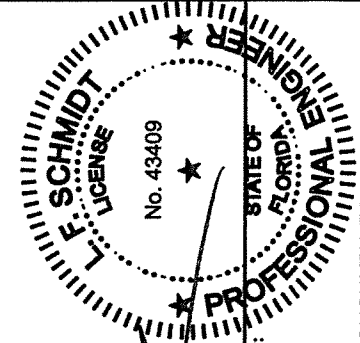


1 HORIZONTAL CROSS SECTION
7 Outswing shown - Inswing also approved



2 HORIZONTAL CROSS SECTION
7 Outswing shown - Inswing also approved

NOTE:
 1. Item #26 located 6" from each end plus 2 more equally spaced (4 total).

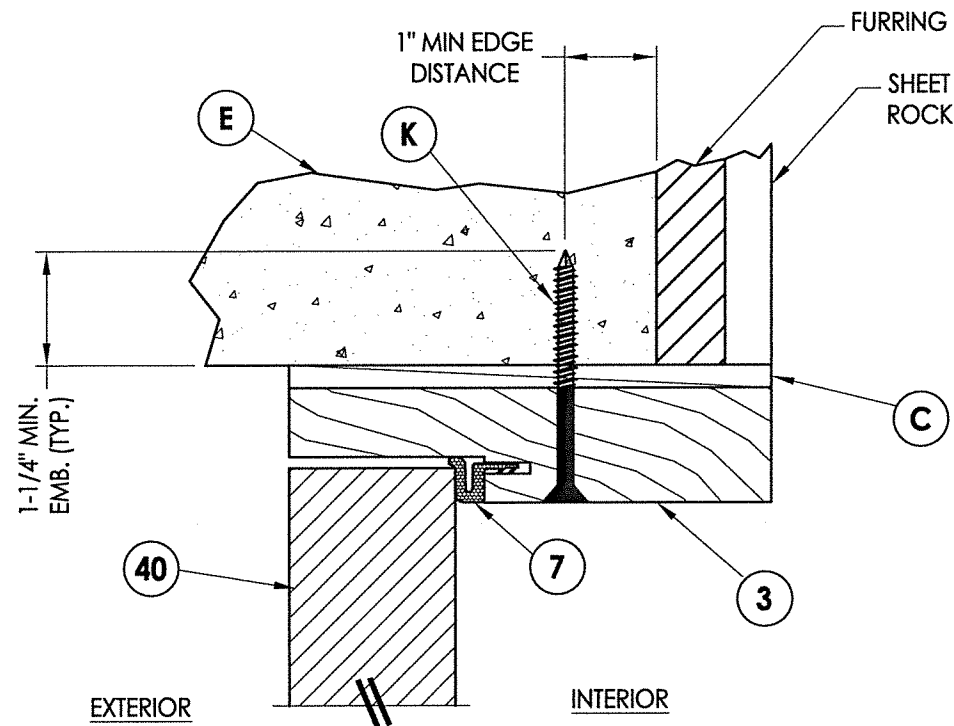


March 28, 2021

Documents Prepared By:
 Lyndon F. Schmidt
 P.E. No. 43409

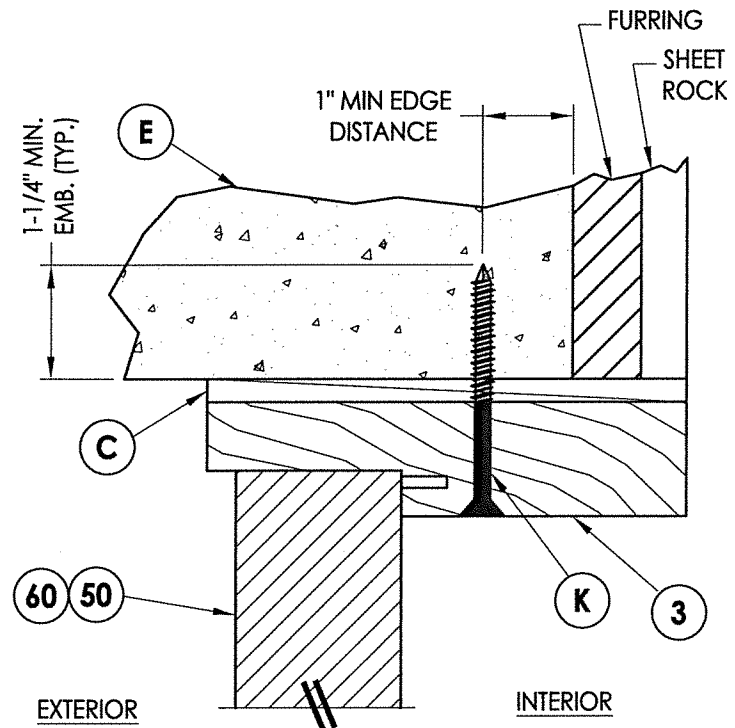
RW BUILDING CONSULTANTS, INC.
 P.O. Box 230, Valrico, FL 33595
 Phone No.: 813.659.9197
 FBPE Registry No. 9813

PRODUCT: TRINITY GLASS INT'L		PART OR ASSEMBLY: HORIZONTAL AND VERTICAL CROSS SECTIONS (1X BUCK)	
NO.	DATE	BY	REVISIONS
1	8/11/20	DAC	UPDATE TO 7th ED. (2020) FBC & REVISE ENDURA ULT. ASTRAGAL
DATE: 1/28/20		SCALE: N.T.S.	
DWG. BY: TRJ		CHK. BY: LFS	
DRAWING NO.: FL-25575.5		SHEET 7 of 14	

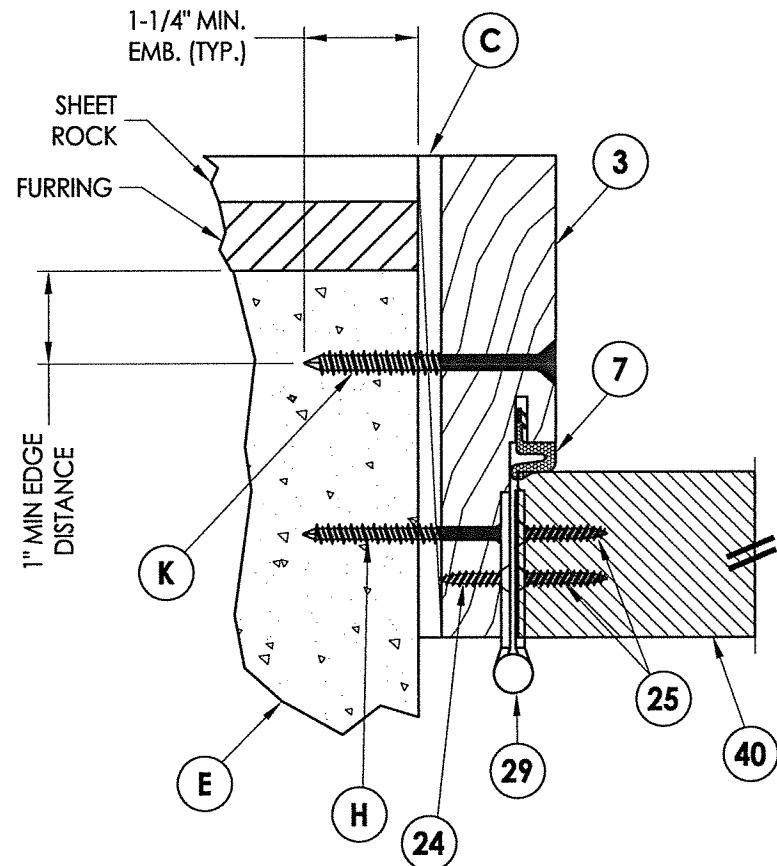


3 VERTICAL CROSS SECTION
8 Outswing only

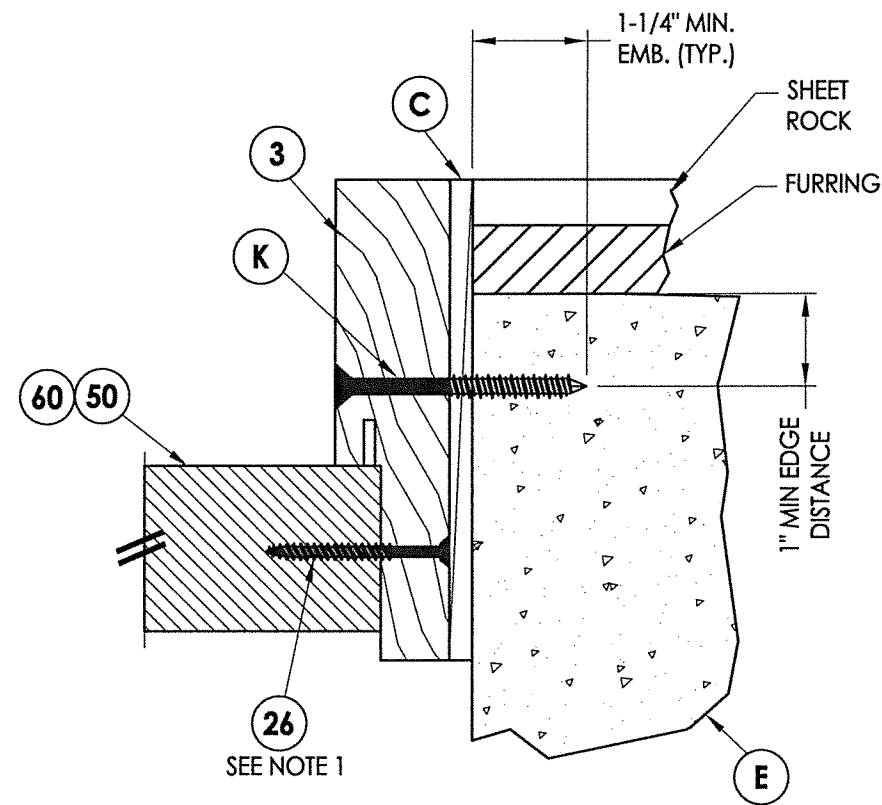
NOTE:
1. Item #26 located 6" from each end plus 2 more equally spaced (4 total).



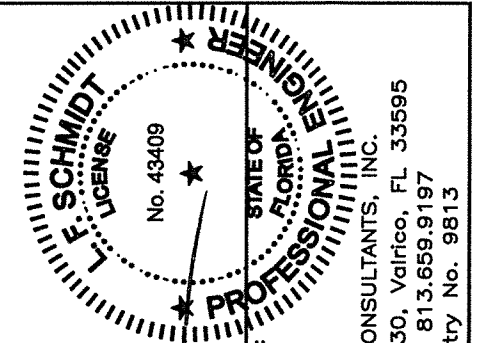
4 VERTICAL CROSS SECTION
8 Outswing only



1 HORIZONTAL CROSS SECTION
8 Outswing only

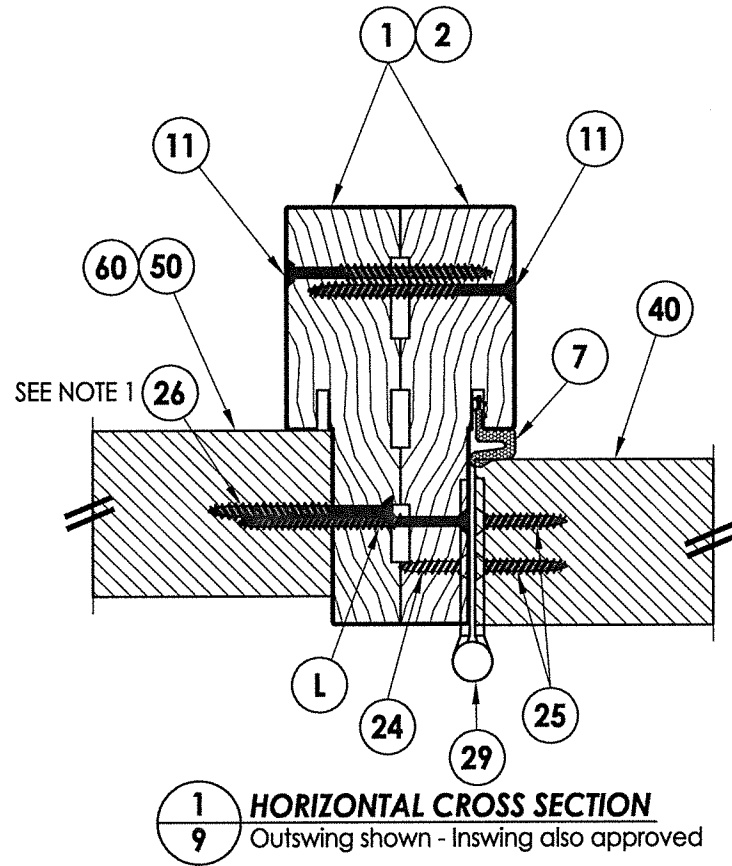


2 HORIZONTAL CROSS SECTION
8 Outswing only



March 28, 2021
 Documents Prepared By:
 Lyndon F. Schmidt
 P.E. No. 43409
 R.W. BUILDING CONSULTANTS, INC.
 P.O. Box 230, Valrico, FL 33595
 Phone No.: 813.659.9197
 FBPE Registry No. 9813

PRODUCT:		TRINITY GLASS INT'L	
PART OR ASSEMBLY:		HORIZONTAL AND VERTICAL CROSS SECTIONS (DIRECT TO MASONRY)	
NO.	DATE	BY	REVISIONS
1	8/11/20	DAC	UPDATE TO 7th ED. (2020) FBC & REVISE ENDURA ULT. ASTRAGAL
DATE: 1/28/20		SCALE: N.T.S.	
DWG. BY: TRJ		CHK. BY: LFS	
DRAWING NO.: FL-25575.5		SHEET 8 OF 14	

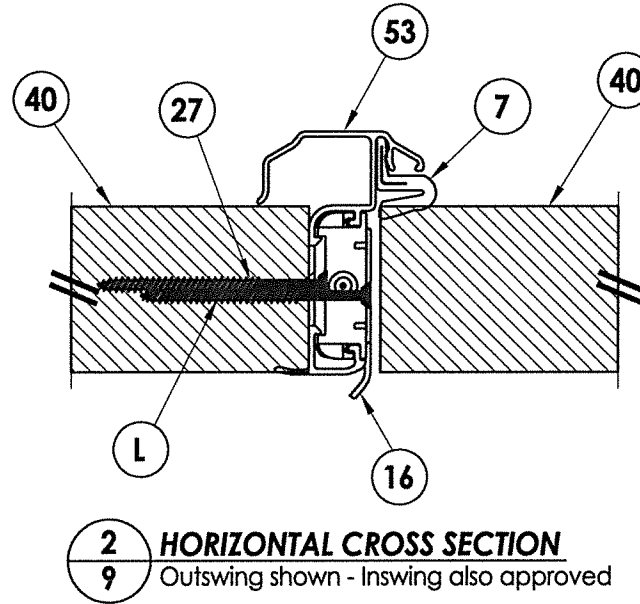


1 HORIZONTAL CROSS SECTION
9 Outswing shown - Inswing also approved

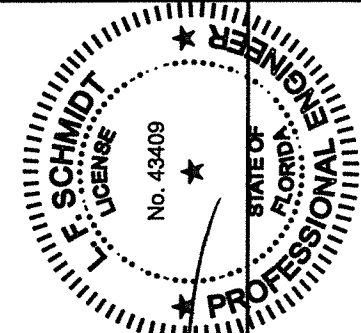
NOTE:
 1. Item #26 located 6" from each end plus 2 more equally spaced (4 total).

INTERIOR

EXTERIOR



2 HORIZONTAL CROSS SECTION
9 Outswing shown - Inswing also approved

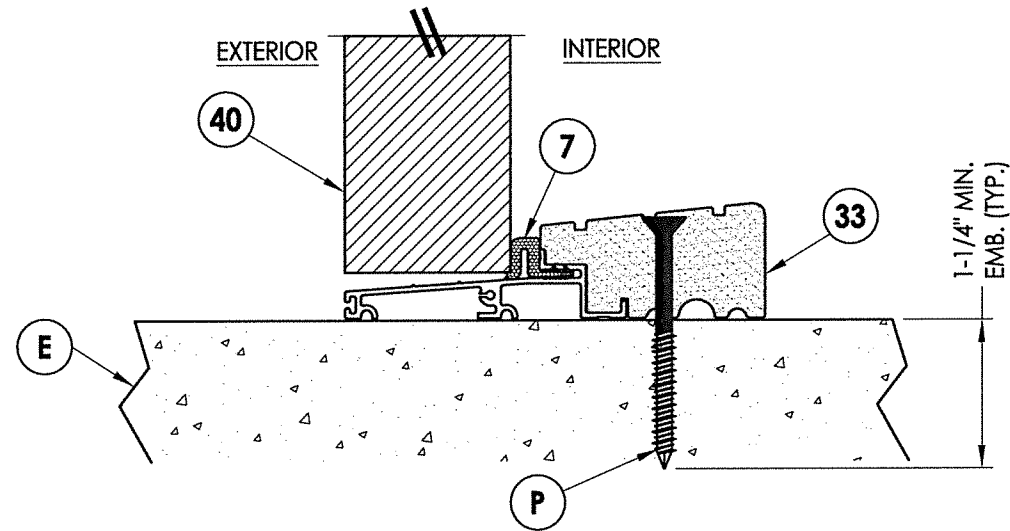


Lyndon F. Schmidt

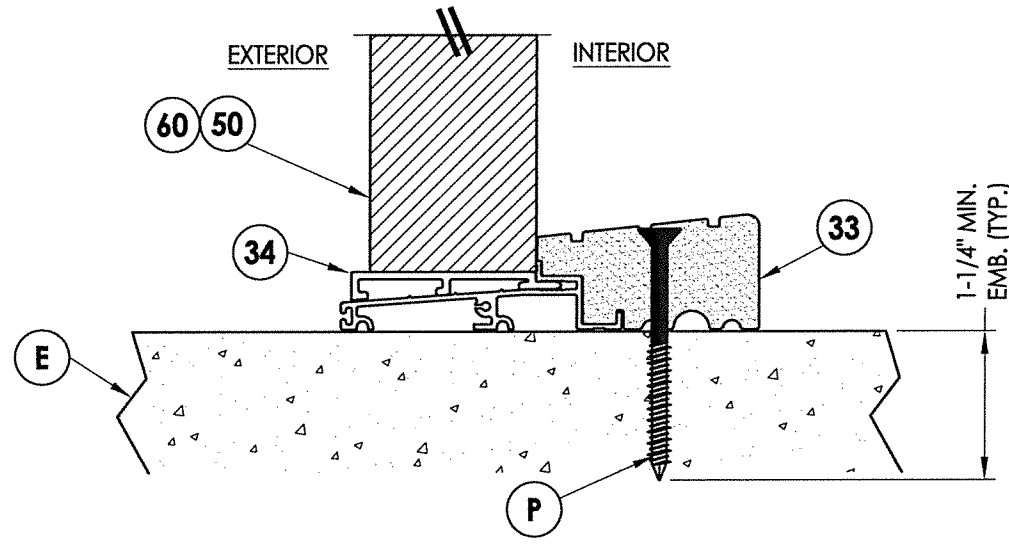
March 28, 2021
 Documents Prepared By:
 Lyndon F. Schmidt
 P.E. No. 43409

R.W. BUILDING CONSULTANTS, INC.
 P.O. Box 230, Valrico, FL 33595
 Phone No.: 813.659.9197
 FBPE Registry No. 9813

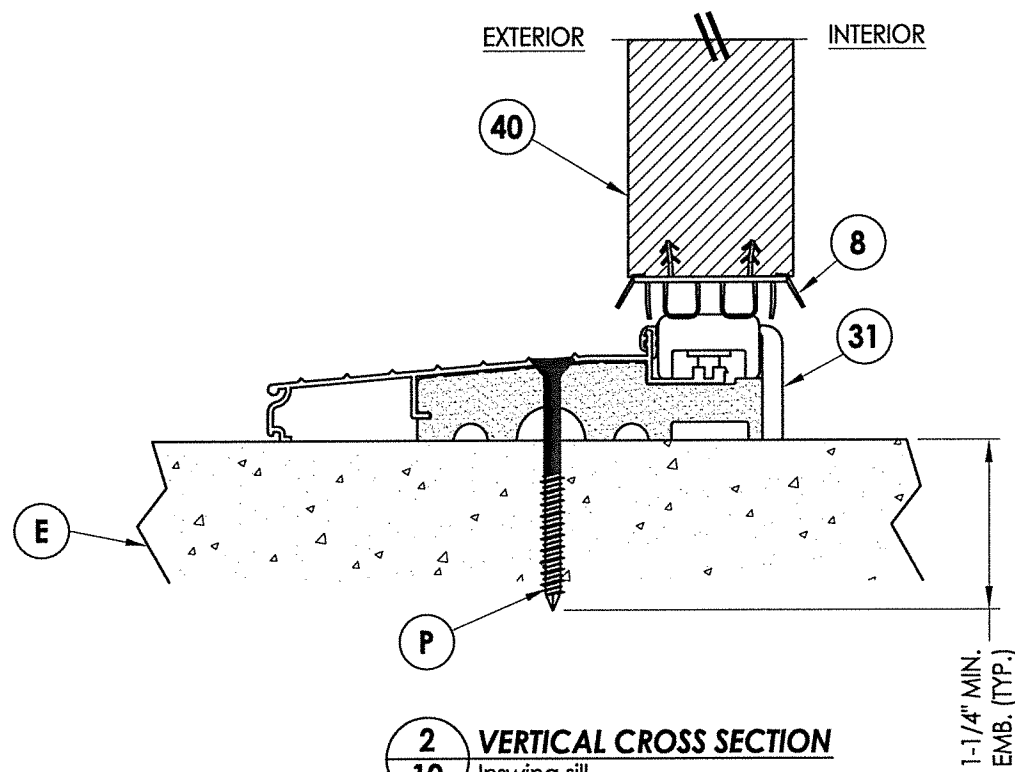
PRODUCT:		TRINITY GLASS INT'L	
PART OR ASSEMBLY:		HORIZONTAL CROSS SECTIONS	
NO.	DATE	BY	REVISIONS
1	8/11/20	DAC	UPDATE TO 7th ED. (2020) FBC & REVISE ENDURA ULT. ASTRAGAL
DATE: 1/28/20			
SCALE: N.T.S.			
DWG. BY: TRJ			
CHK. BY: LFS			
DRAWING NO.: FL-25575.5			
SHEET 9 OF 14			



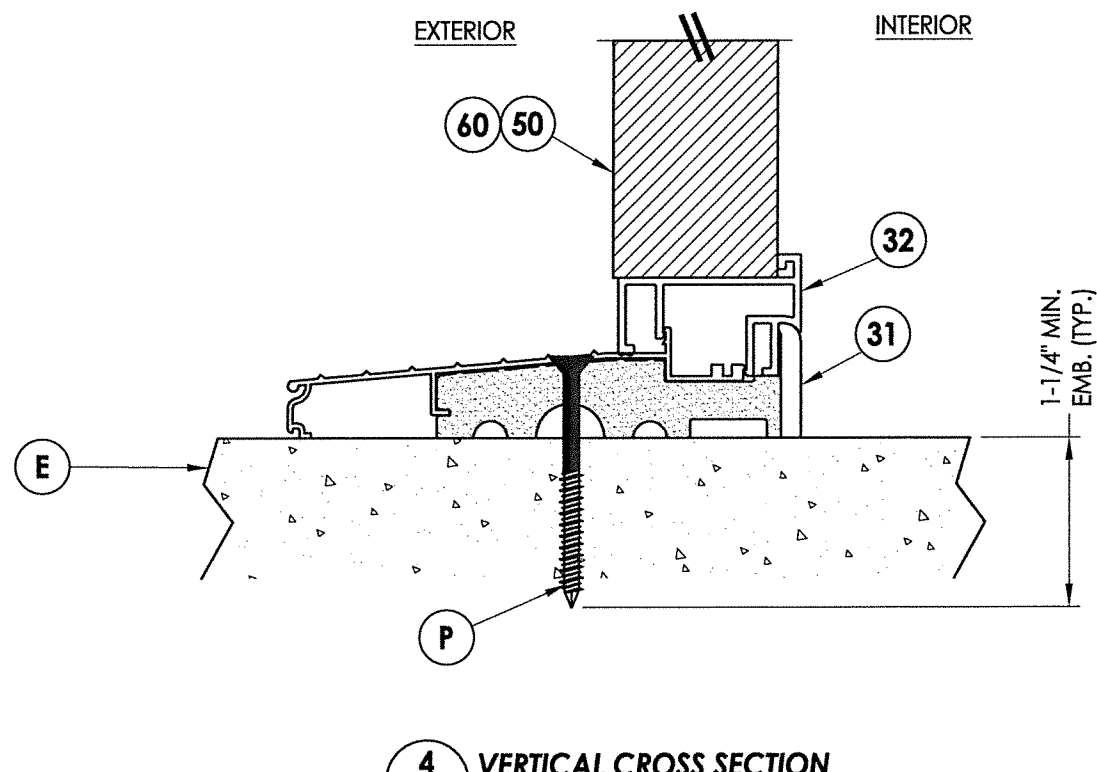
1 VERTICAL CROSS SECTION
10 Outswing sill - high dam



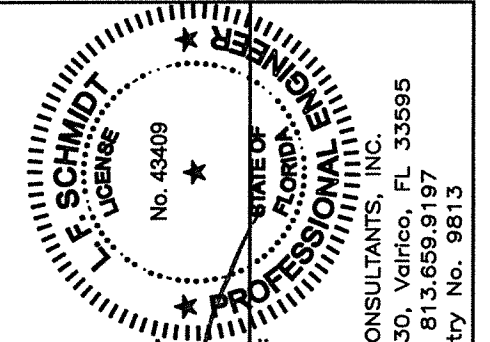
3 VERTICAL CROSS SECTION
10 Outswing sill - high dam



2 VERTICAL CROSS SECTION
10 Inswing sill

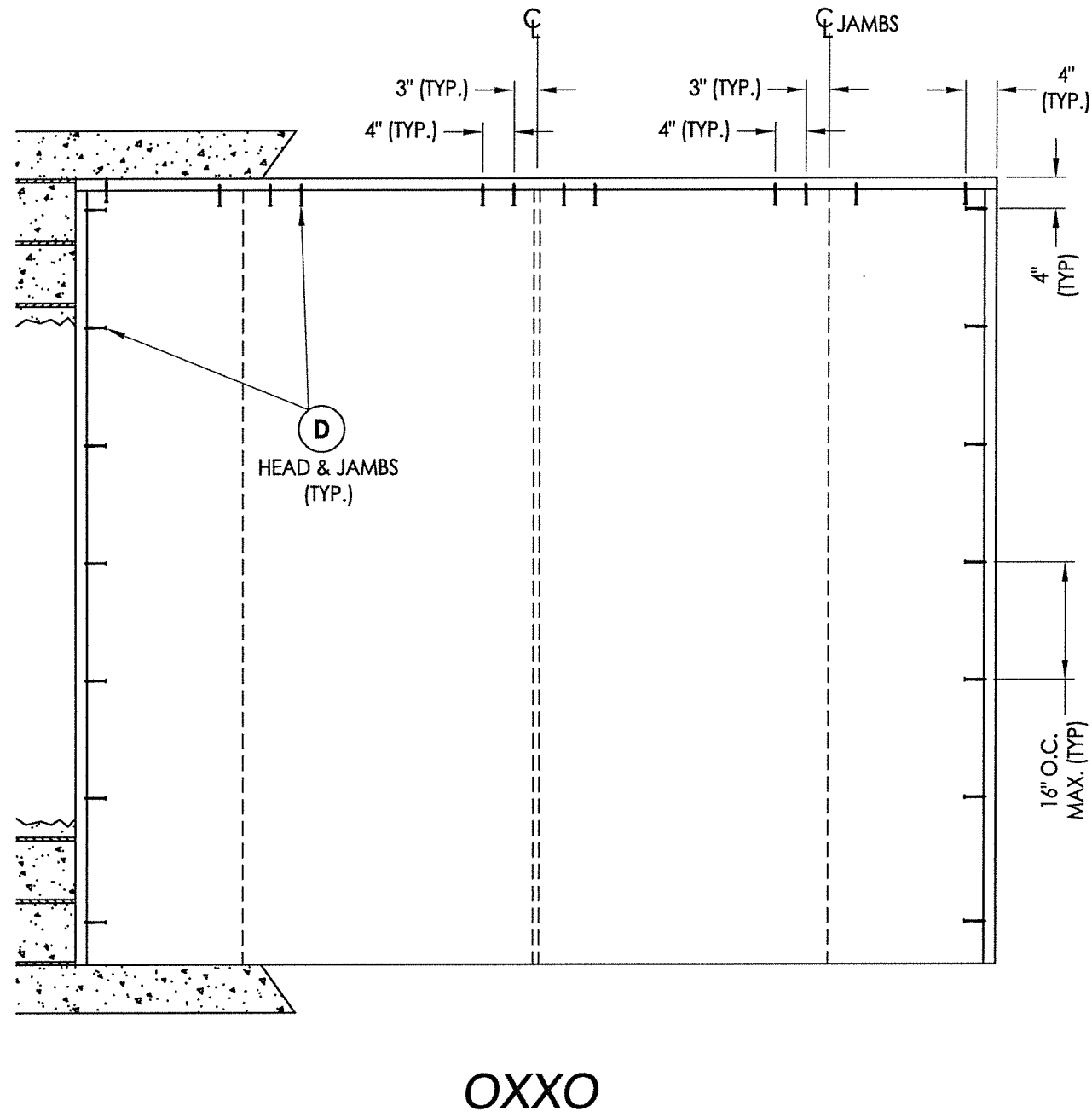
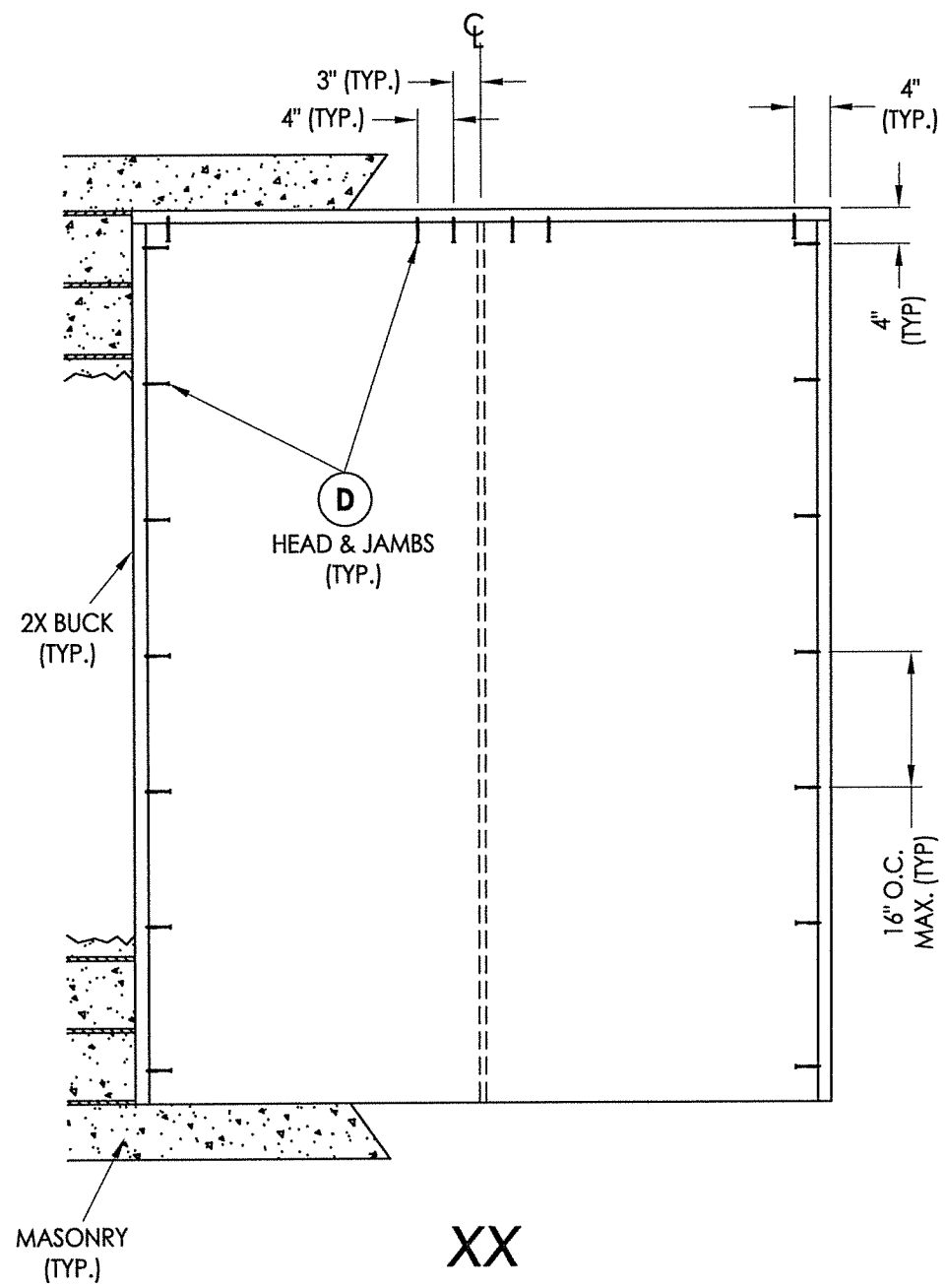


4 VERTICAL CROSS SECTION
10 Inswing sill

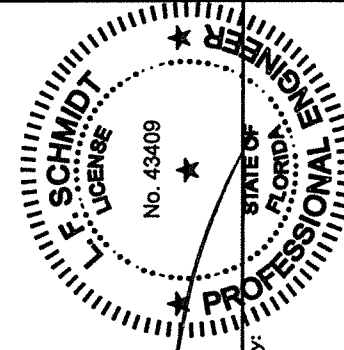


March 28, 2021
 Documents Prepared By:
 Lyndon F. Schmidt
 P.E. No. 43409
 R.W.
 BUILDING CONSULTANTS, INC.
 P.O. Box 230, Valrico, FL 33595
 Phone No.: 813.659.9197
 FBPE Registry No. 9813

PRODUCT:		TRINITY GLASS INT'L	
PART OR ASSEMBLY:		VERTICAL CROSS SECTIONS	
NO.	DATE	BY	REVISIONS
1	8/11/20	DAC	UPDATE TO 7th ED. (2020) FBC & REVISE ENDURA ULT. ASTRAGAL
DATE: 1/28/20			
SCALE: N.T.S.			
DWG. BY: TRJ			
CHK. BY: LFS			
DRAWING NO.: FL-25575.5			
SHEET 10 of 14			



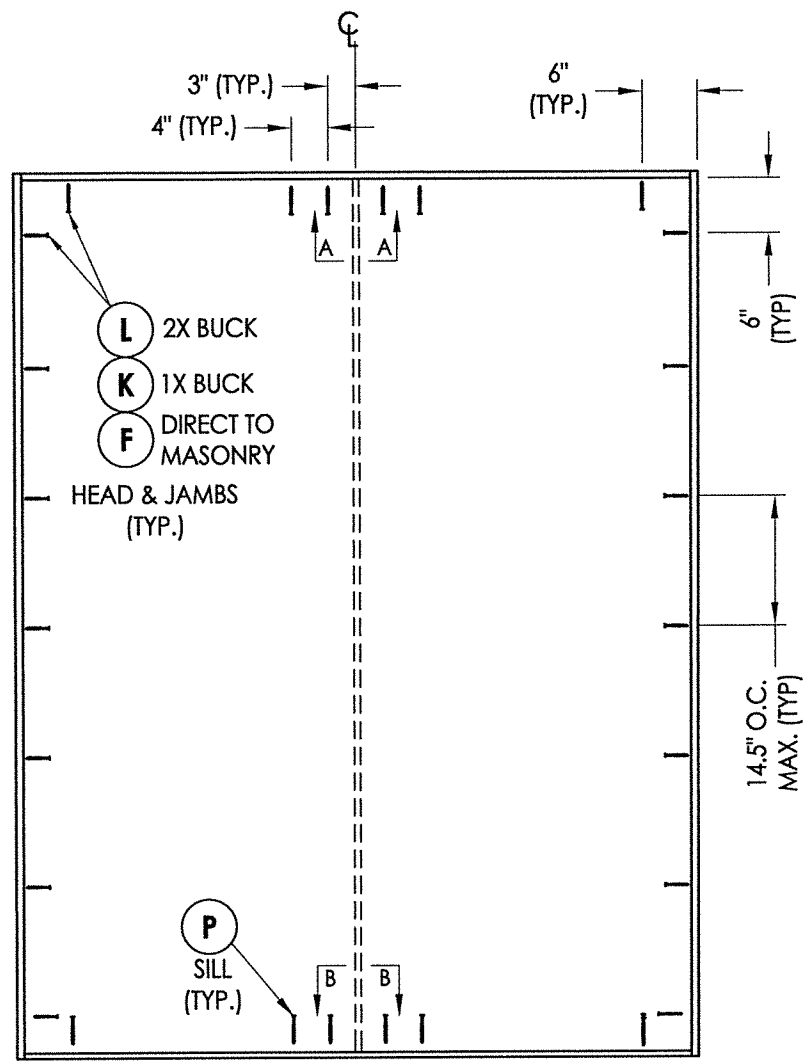
2X BUCK ANCHORING



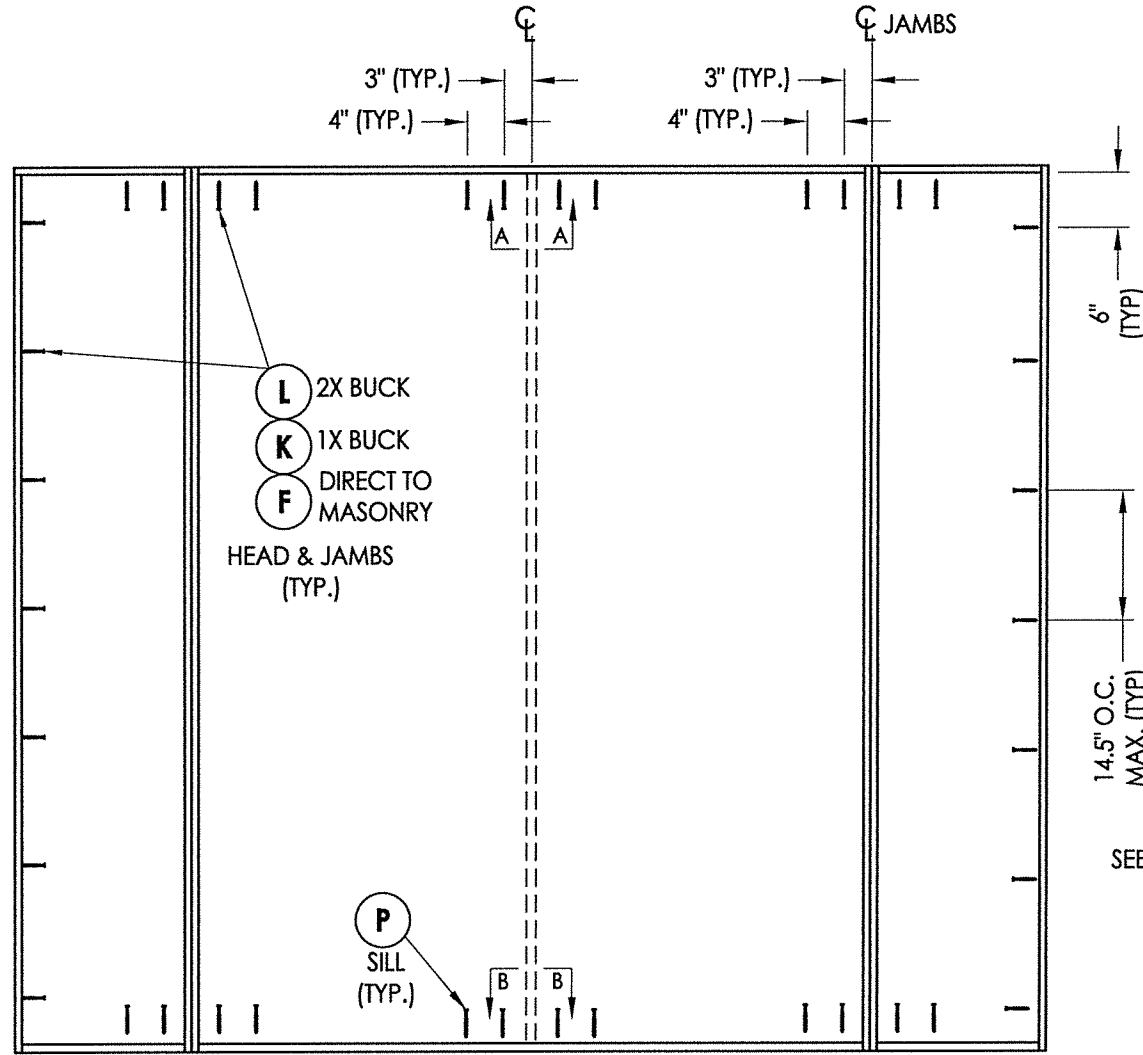
March 28, 2021
 Documents Prepared By:
 Lyndon F. Schmidt
 P.E. No. 43409

R.W. BUILDING CONSULTANTS, INC.
 P.O. Box 230, Vairco, FL 33595
 Phone No.: 813.659.9197
 FBPE Registry No. 9813

PRODUCT:		TRINITY GLASS INT'L	
PART OR ASSEMBLY:		BUCK ANCHORING	
NO.	DATE	BY	REVISIONS
1	8/11/20		UPDATE TO 7th ED. (2020) FBC & REVISE ENDURA ULT. ASTRAGAL
DATE: 1/28/20		SCALE: N.T.S.	
DWG. BY: TRJ		CHK. BY: LFS	
DRAWING NO.:		FL-25575.5	
SHEET 11 OF 14			

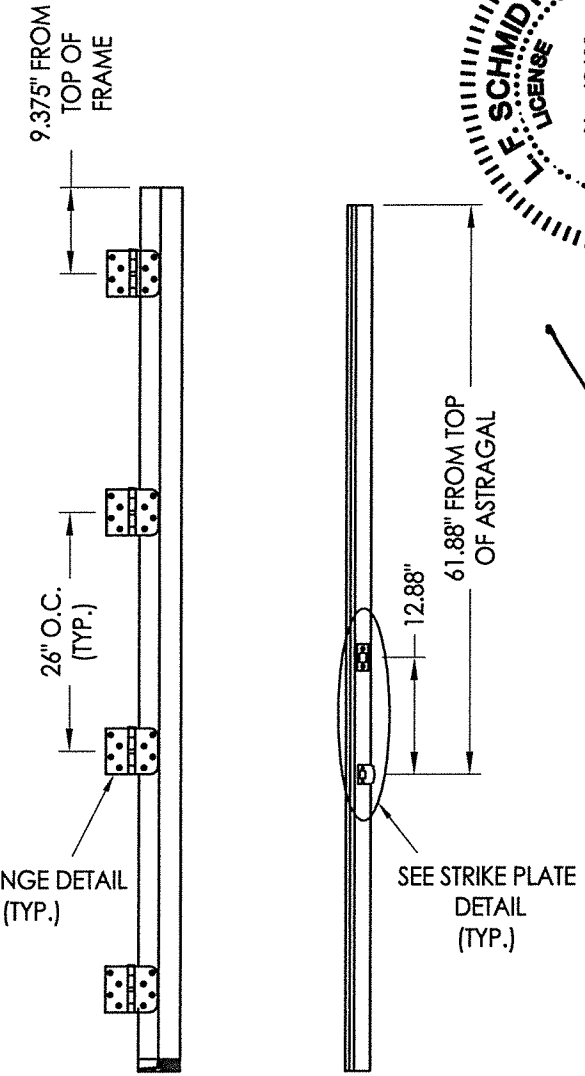


XX



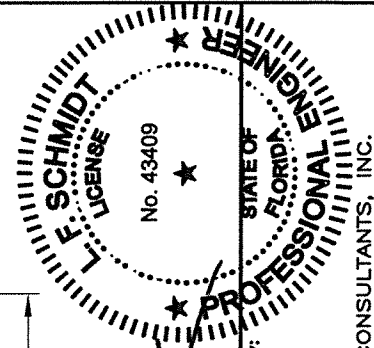
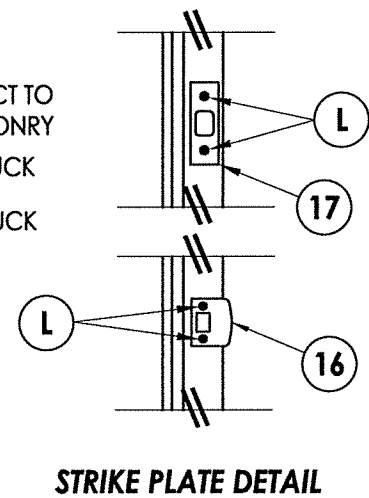
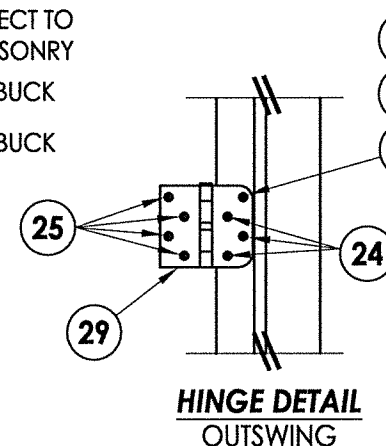
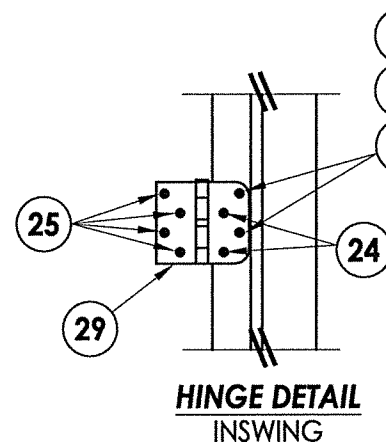
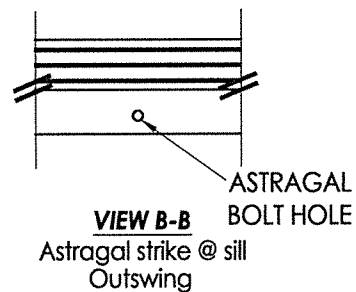
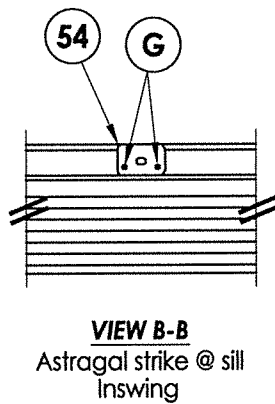
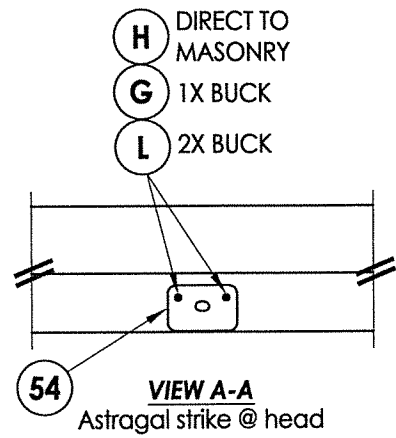
OXXO

FRAME ANCHORING



HINGE JAMB

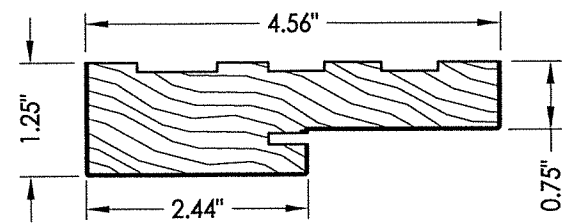
ASTRAGAL



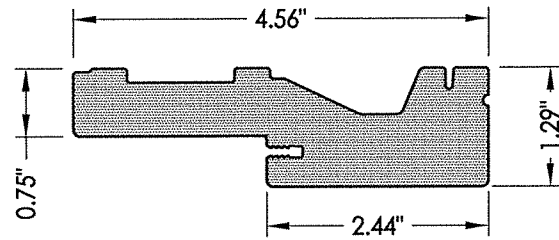
March 28, 2021
Documents Prepared By:
Lyndon F. Schmidt
P.E. No. 43409

RW
BUILDING CONSULTANTS, INC.
P.O. Box 230, Valrico, FL 33595
Phone No.: 813.659.9197
FBPE Registry No. 9813

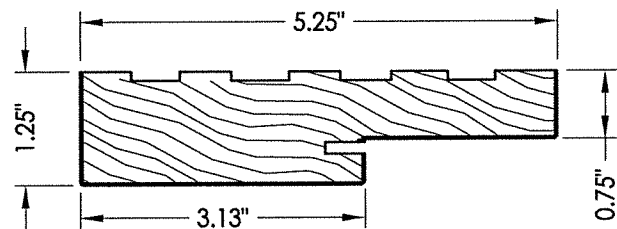
PRODUCT:	TRINITY GLASS INT'L		
PART OR ASSEMBLY:	FRAME ANCHORING		
NO.	DATE	BY	REVISIONS
1	8/11/20	FBC DAC	UPDATE TO 7th ED. (2020) FBC & REVISE ENDURA ULT. ASTRAGAL
DATE: 1/28/20			
SCALE: N.T.S.			
DWG. BY: TRJ			
CHK. BY: LFS			
DRAWING NO.: FL-25575.5			
SHEET 12 OF 14			



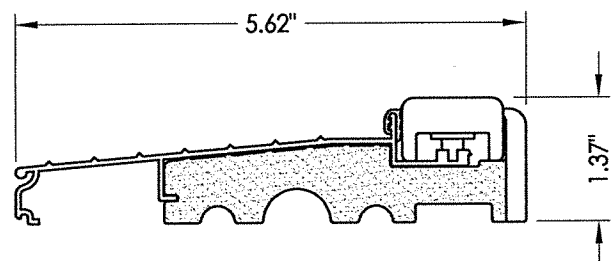
1 FINGER JOINT PINE JAMB



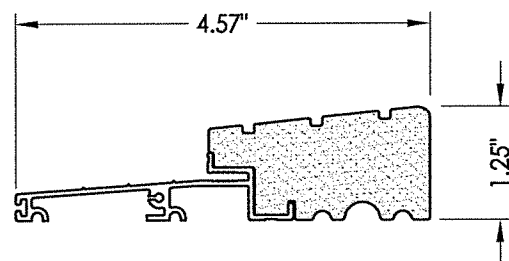
**2 HEAD AND JAMBS
PVC**



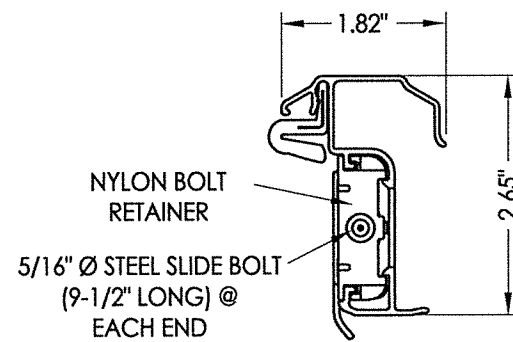
3 FINGER JOINT PINE JAMB



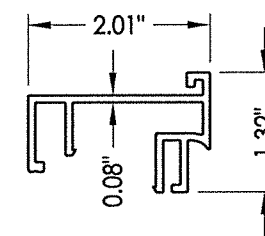
31 INSWING THRESHOLD



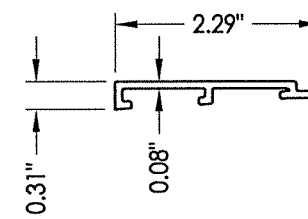
**33 INSWING THRESHOLD
High-dam**



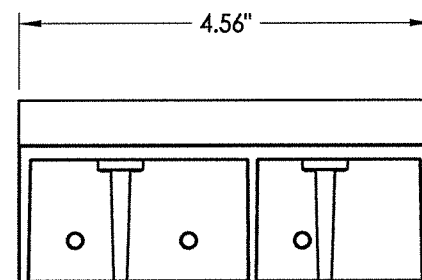
53 ULTIMATE HURRICANE ASTRAGAL
By Endura Products



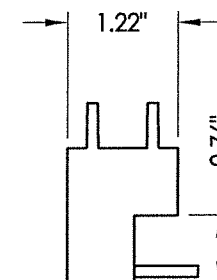
32 SIDELITE SPACER
Inswing



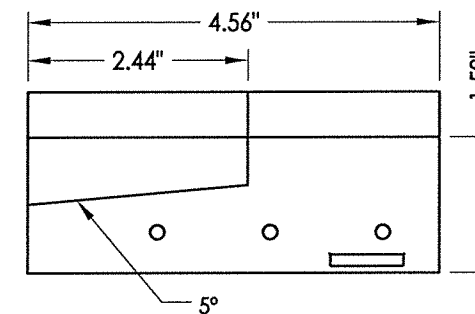
34 SIDELITE SPACER
Outswing



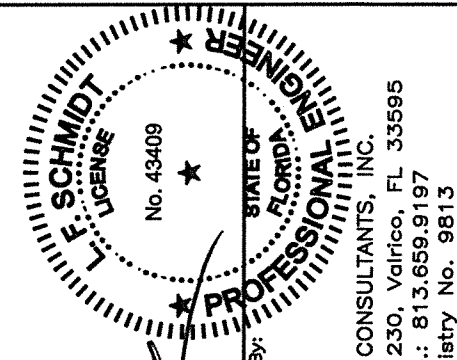
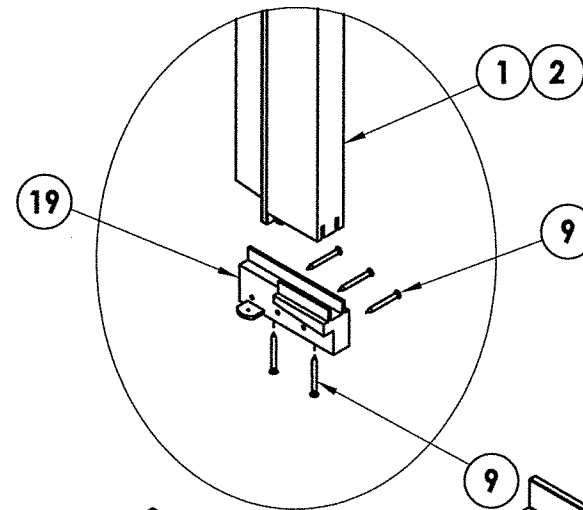
SILLKEY, LEFT
SCALE: NONE



SILLKEY, RIGHT
SCALE: NONE



19 SILLKEY DETAILS
Optional



March 28, 2021

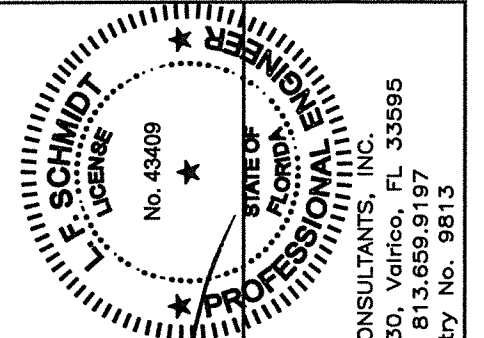
Documents Prepared By:
Lyndon F. Schmidt
P.E. No. 43409

RW BUILDING CONSULTANTS, INC.
P.O. Box 230, Valrico, FL 33595
Phone No.: 813.669.9197
FBPE Registry No. 9813

PRODUCT:		TRINITY GLASS INT'L	
PART OR ASSEMBLY:		COMPONENTS	
NO.	DATE	BY	REVISIONS
1	8/11/20	FBC DAC	UPDATE TO 7th ED. (2020)
			& REVISE ENDURA ULT. ASTRAGAL
DATE:		1/28/20	
SCALE:		N.T.S.	
DWG. BY:		TRJ	
CHK. BY:		LFS	
DRAWING NO.:		FL-25575.5	
SHEET		13 OF 14	

BILL OF MATERIALS

ITEM #	DESCRIPTION	MATERIAL
A	1X BUCK (SG >= 0.42)	WOOD
B	2X BUCK (SG >= 0.42)	WOOD
C	1/4" MAX. SHIM SPACE	-
D	1/4" X 2-3/4" PFH DeWALT OR ITW CONCRETE SCREW	STEEL
E	MASONRY - 3,000 PSI MIN. CONCRETE CONFORMING TO ACI 301 OR HOLLOW BLOCK CONFORMING TO ASTM C90	CONCRETE
F	1/4" X 3-3/4" PFH ITW CONCRETE SCREW	STEEL
G	3/16" X 3-1/4" PFH ITW CONCRETE SCREW	STEEL
H	3/16" X 2-1/4" PFH ITW CONCRETE SCREW	STEEL
K	1/4" X 2-3/4" PFH DeWALT CONCRETE SCREW	STEEL
L	#10 X 2-1/2" PFH WS (1.15" MIN. EMBEDMENT)	STEEL
P	1/4" X 2-3/4" PFH DeWALT OR ITW CONCRETE SCREW	STEEL
1	HEAD & JAMB (FINGER-JOINT PINE - SG >= 0.42)	WOOD
2	HEAD & JAMB	PVC
3	HEAD & JAMB (5.25") (FINGER-JOINT PINE - SG >= 0.42)	WOOD
7	WEATHERSTRIP	FOAM
8	DOOR BOTTOM SWEEP	PVC
9	#6 X 1-1/4 PFH DRYWALL SCREW	STEEL
11	#9 X 2-1/4" PFH WOOD SCREW	STEEL
16	LATCH STRIKE PLATE	STEEL
17	DEADBOLT STRIKE PLATE	STEEL
19	SILLKEY	PC/ASA
24	#9 X 3/4" PFH WS	STEEL
25	#9 X 1" PFH WS	STEEL
26	#8 X 2" PFH WS	STEEL
27	#8 X 2-1/2" PFH WOOD SCREW	STEEL
28	#10 X 3" PFH WOOD SCREW	STEEL
29	4" X 4" HINGE	STEEL
31	INSWING THRESHOLD ALUMINUM w/ COMPOSITE SUBSTRATE	ALUM./ COMP.
32	SIDELITE SPACER - INSWING	PVC
33	OUTSWING HIGH-DAM THRESHOLD ALUMINUM w/ COMPOSITE SUBSTRATE	ALUM./ COMP.
34	SIDELITE SPACER - OUTSWING	PVC
40	DOOR PANEL - (LIGHTHOUSE)	-
50	SIDELITE - LIP LITE GLAZED	-
60	SIDELITE - FLUSH GLAZING	-
53	ALUMINUM ASTRAGAL	ALUM
54	ASTRAGAL STRIKE PLATE	STEEL



Documents Prepared By:
 Lyndon F. Schmidt
 P.E. No. 43409
 March 28, 2021
 BUILDING CONSULTANTS, INC.
 P.O. Box 230, Valrico, FL 33595
 Phone No.: 813.659.9197
 FBPE Registry No. 9813

PRODUCT: TRINITY GLASS INT'L
 PART OR ASSEMBLY: BILL OF MATERIALS

NO.	DATE	REVISIONS
1	8/11/20	UPDATE TO 7th ED. (2020) FBC & REVISE ENDURA ULT. ASTRAGAL

DATE: 1/28/20
 SCALE: N.T.S.
 DWG. BY: TRJ
 CHK. BY: LFS
 DRAWING NO.: FL-25575.5
 SHEET 14 OF 14

CONCRETE ANCHOR NOTES:

- Concrete anchor locations at the corners may be adjusted to maintain the min. edge distance to mortar joints.
- Concrete anchor locations noted as "MAX. ON CENTER" must be adjusted to maintain the min. edge distance to mortar joints, additional concrete anchors may be required to ensure the "MAX. ON CENTER" dimension are not exceeded.
- Concrete anchor table:

ANCHOR TYPE	ANCHOR SIZE	MIN. EMBEDMENT	MIN. CLEARANCE TO MASONRY EDGE	MIN. CLEARANCE TO ADJACENT ANCHOR
ITW BUILDEX TAPCON®	3/16"	1-1/4"	AS SHOWN	1-1/2"
	1/4"	1-1/4"	2"	4"
DeWALT ULTRACON®	1/4"	1-1/4"	1"	4"

WOOD SCREW INSTALLATION NOTES:

- Maintain a minimum 5/8" edge distance, 1" end distance, & 1" o.c. spacing of wood screws to prevent the splitting of wood.